

# Wire Connectors Investigated for Flexible Stranded Wire

## Specifications:

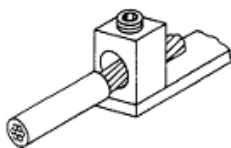
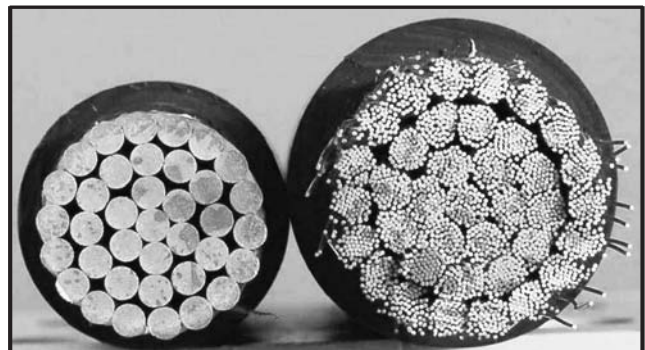
- Screw-type mechanical pressure wire connectors investigated to UL 486A-B for flexible stranded wire
- UL 508A (Industrial Control Panels), Section 29.3.11

## Affected Standards:

- UL 486A-486B (Wire Connectors Standard)
- UL 508A (Industrial Control Panels Standard)
- UL 1059 (Terminal Block Standard)
- NEC (National Electric Code) 110.3 (A)7 and (B)
- NEC 690 (in 2008)

To be UL and NEC compliant while using flexible stranded wire, it was necessary to use crimp-type ring lugs investigated for flexible stranded wire. By using Marathon's UL 486A-B investigated screw-type pressure connectors in place of crimp lugs, you can save up to 66% of termination costs in material and labor.

Marathon's wire approvals, in addition to Classes B and C, now include stranding Classes G, H, I and K. The photo shows two distinctly different stranding classes, both 250 kcmil. The wire on the left, Class B, has 37 strands. The wire on the right, Class K, has approximately 2499 strands. A table providing information on wire sizes, Classes and strand count can be found on the next page.



29.3.11 Flexible conductors, including welding cable and machine tool wire identified as "Flexing" or "Class K", shall be retained by terminals that have been evaluated to the Standard for Wire Connectors, UL 486A-486B for the size and type of conductors involved.

Added 29.3.11 effective March 1, 2007

For specific rating information view our online datasheets at [www.marathonsp.com](http://www.marathonsp.com)

# Copper Stranded Wire Classes

Wire Gauge	AWG/kcmil							Wire Gauge
	Rigid Stranded			Flexible Stranded				
	CSA Compact	Class B	Class C	Class G	Class H	Class I (DLO)	Class K	
Number of Strands	Number of Strands	Number of Strands	Number of Strands*	Number of Strands*	Number of Strands*	Number of Strands*	Number of Strands*	
#20 AWG		7	19				10	#20 AWG
#18		7	19				16	#18
#16		7	19				26	#16
#14		7	19			19	41	#14
#12		7	19			19	65	#12
#10		7	19			27	104	#10
#8	7	7	19	49	133	41	168	#8
#6	7	7	19	49	133	63	266	#6
#4	7	7	19	49	133	105	420	#4
#2	7	7	19	49	133	161	665	#2
#1	19	19	37	133	259	210	836	#1
1/0	19	19	37	133	259	266	1064	1/0
2/0	19	19	37	133	259	342	1323	2/0
3/0	19	19	37	133	259	418	1666	3/0
4/0	19	19	37	133	259	532	2107	4/0
250 kcmil	37	37	61	259	427	637	2499	250 kcmil
300 kcmil	37	37	61	259	427	735	2989	300 kcmil
350 kcmil	37	37	61	259	427	882	3458	350 kcmil
400 kcmil	37	37	61	259	427	980	3990	400 kcmil
500 kcmil	37	37	61	259	427	1225	5054	500 kcmil
600 kcmil	37	37	61	427	427	1470	6065	600 kcmil
750 kcmil	37	61	61	427	427	1850	7581	750 kcmil
1,000 kcmil	37	61	61	427	427	2527	10101	1,000 kcmil

Wire Gauge	mm <sup>2</sup>		Wire Gauge
	Rigid	Flexible	
	Class 2	Class 5	
Number of Strands	Number of Strands*	Number of Strands*	Number of Strands*
.50 mm <sup>2</sup>	7	16	.50 mm <sup>2</sup>
0.75	7	24	0.75
1.50	7	30	1.50
2.50	7	50	2.50
4	7	56	4
6	7	84	6
10	7	80	10
16	7	128	16
25	7	200	25
35	7	280	35
50	19	400	50
70	19	356	70
95	19	485	95
120	37	614	120
150	37	765	150
185	37	765	185
240	61	1225	240
300	61	1530	300

\*Specific quantity of strands for Classes G, H, I (DLO), K and 5 vary by manufacturer.

For additional information on copper stranded wire classes and approvals on Marathon products go to [www.marathonsp.com](http://www.marathonsp.com)

## General Information:

Marathon has been manufacturing quality fuse holders for over 40 years. Quality is incorporated in the design of every Marathon fuse holder.

The product line includes a broad range of holders to accommodate the following fuses: Class H, K, R, T, J, CC, G, CD, M (Miscellaneous/10x38) and Semi-Conductor holders. The majority of these fuse holders are available from 250 to 1000 volts at current ratings from 30 through 600 Amperes.

The Class R, T, J, CD, CC and Semi-Conductor fuse holders have passed 200,000 ampere short circuit withstand testing in accordance with the fuse holder standard UL 512 and complies to new harmonized standard UL 4248.

Class R and CC fuse holders have a rejection feature, which prevents the insertion of a fuse with lower interrupting rating. Class T and J fuse holders prevent the use of fuses with lower interrupting rating because of their unique size.

## Fuse Clips:

Marathon's 30 and 60 Amp fuse holders are equipped with the "Cool-Clip®" design. The heat generated in a fuse clip can actually reduce the life of the fuse, the clip and the conductor, as well as the protection power of the fusing device.

Reinforcing members are available for most Marathon fuse holders and are recommended for use where an improved performance is desired or more severe conditions exist. They are recommended for electric heat or where high ambient temperatures are present.

To comply with Automotive Industry Standard ET-2 use the following options:

- Class H Fuse Holder with Reinforcing Member
- 30 Amp use SP Connectors or Copper Box Connectors
- 60 Amp use Copper Box Connectors

*Marathon Special Products fuse holders comply to new harmonized fuse holder standard 4248. Please refer to [www.marathonsp.com](http://www.marathonsp.com) for the latest updates.*

## Wire Connectors:

Marathon fuse holders are available with five types of wire connectors.

### S Screw Connector

An economical connector for use with a wire, or either a ring or spade type terminal. Screw is #10-32 steel.

### SQ Screw Connector w/Quick Connects

Same as screw connector with additional quick connect options.

### SP Sems Pressure Connector

A positive pressure connector eliminating the need for a wire terminal. Ideal for use where there is a vibration problem. Sems pressure screw is #10-32 steel.

### SPQ Sems Pressure Connector w/Quick Connects

Same as Sems connector with additional quick connect options.

### B Box Connector

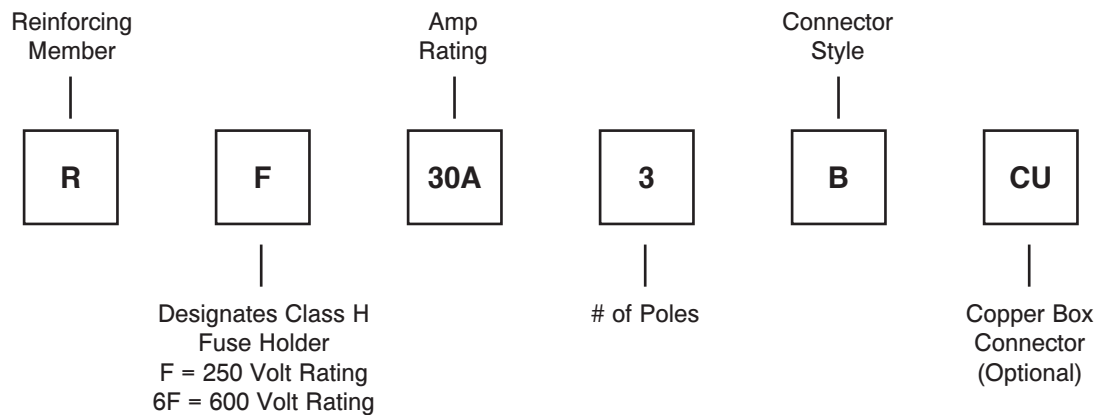
Suitable for use with stranded or solid wire. Connector is aluminum tin plated.

Copper Box Connectors are available on 30 and 60 amp fuse holders. Add CU after the catalog number.

## Wire Ranges:

All wire ranges shown in the fuse holder section are the ranges of the wire that the connector will accept or that is recommended for the fuse holder assembly.

## Ordering Code:



## Applications:

Marathon fuse holders can be used in various applications, including control panels, lighting and heating circuits, motor circuits, circuit breaker protection, switchgear equipment, appliances, electric heat, air conditioning and refrigeration equipment, elevator systems, transformer protection, and solar applications.

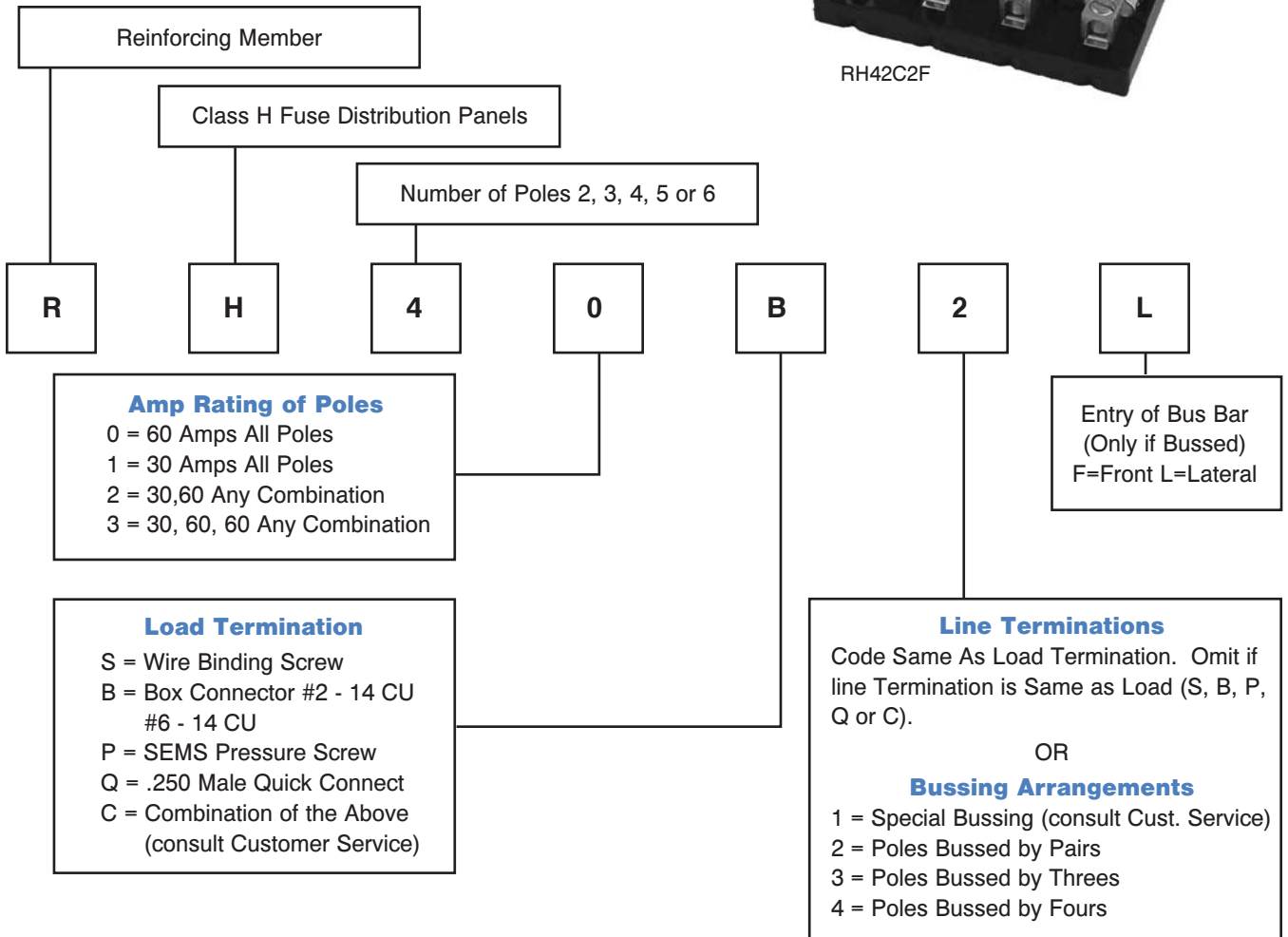
# Class H & K Fuse Panels

## 30 and 60 Amp - 250 Volt

### Specifications:

- Base, General Purpose Phenolic, 150°C (UL RTI)
- Cool-Clip® Design
- Clip, Copper Alloy, Tin Plated
- Reinforcing Member Available
- Bus Bars are Available with 2/0 - #14 AWG or 250 kcmil - #6 Wire Ranges
- Consult Customer Service for Special Requirements
- UL Recognized File No. IZLT2.E35113
- CSA Certified File No. LR21455
- **CE**
- RoHS Compliant

### Ordering Code:



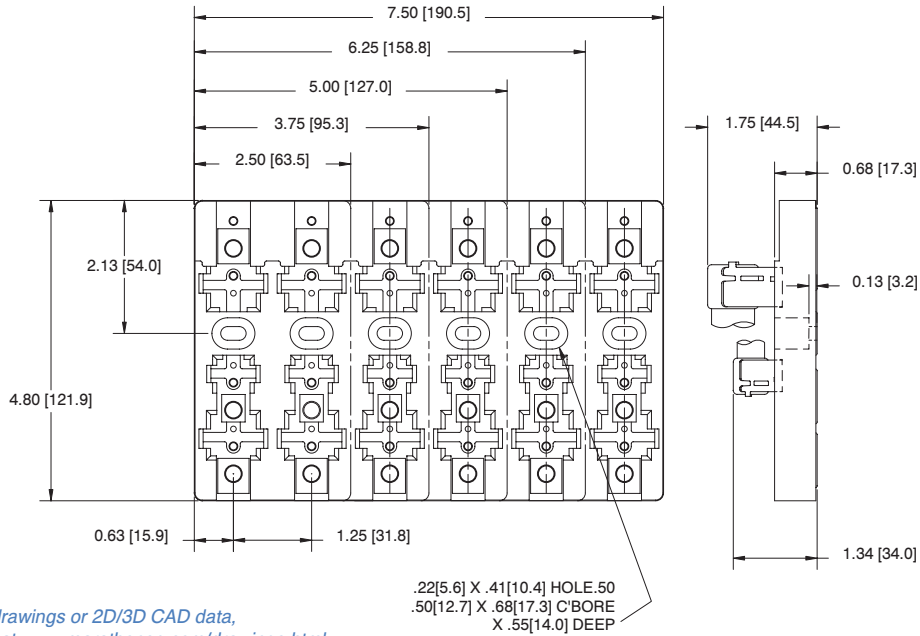
RH40Q2L



RH42C2F

# Class H & K Fuse Panels (cont.)

## 30 and 60 Amp - 250 Volt



For electronic drawings or 2D/3D CAD data, submit request at [www.marathonsp.com/drawings.html](http://www.marathonsp.com/drawings.html)

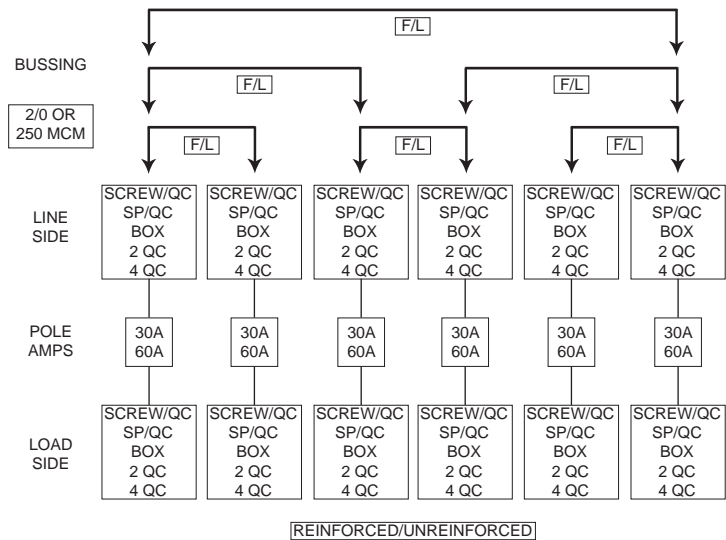
Poles No.	Dimensions (in) L	(mm)	Poles No.	Dimensions (in) L	(mm)	Dimensions (in) (mm)
2	2.50	63.5	5	6.25	158.8	(in) (mm)
3	3.75	95.25	6	7.50	190.5	(mm)
4	5.00	127.0				

## Fuse Distribution Panel Options

Circle/indicate one item per pole and number of poles. The items to be indicated are within the rectangles.

Bussing is only available on line side. If bussing, indicate lug size 2/0 or 250 kcmil (F = Front entry, L = Lateral entry)

Consult Customer Service for other modifications.



# Class H & K Fuse Holders - 250/600 Volt

## Specifications:

- Approved for 10,000 Amp Withstand Rating and Short Circuit Withstand Rating
- UL Listed File No. IZLT.E35113
- CSA Certified File No. LR21455
- CE
- RoHS Compliant

### 30 & 60 Amp

- Clip, Copper Alloy, Tin Plated
- Cool-Clip® Design
- For box connectors, internal hex screw option available

### 200 Amp

- Clip, One Piece Aluminum, Tin Plated

### 100 Amp

- Clip, Copper Alloy, Tin Plated

### 400 & 600 Amp

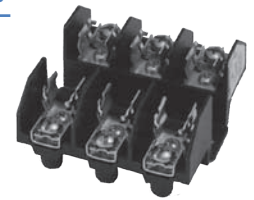
- Clip, Copper Alloy, Tin Plated

## 250 Volts - Catalog #:

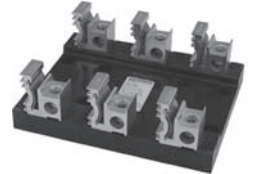
Replace "X" with # of poles

Standard	Reinforced	Poles (X)	Amps	Base Materials	Wire Range	Fuse Size	Fuses
F30AXS	RF30AXS	1/2/3	30	Thermoplastic	#10-#22 AWG CU	9/16" DIA BY 2"	A2Y CRN NLN NON NRN OT OTN RLN RF
F30AXSP	RF30AXSP				#10-#14 AWG CU		
F30AXB	RF30AXB				#6-#14 AWG CU		
F60AXSQ*	RF60AXSQ*				#10-#22 AWG CU		
F60AXB	RF60AXB	1/3	60	Phenolic	#2-#14 AWG CU #2-#12 AWG AL	13/16" DIA BY 3"	
RF100AXB	SAME				100	2/0-#14 AWG CU 2/0-#12 AWG AL	1" DIA BY 5 7/8"
F200AXBE		200	Polyester	250 kcmil - #6 AWG CU AL	1 1/2" DIA BY 7 1/8"		
RF400AXB		400	Phenolic	(2) 350 kcmil - 1/0 AWG CU AL	2 13/32" DIA BY 8 5/8"		
F600AXB	N/A	600		(2) 500 kcmil - 1/0 AWG CU AL	2 29/32" DIA BY 10 3/8"		

\*UL Recognized File No. IZLT2.E35113



F30A3SP



F200A3BE

## 600 Volts - Catalog #:

Replace "X" with # of poles

Standard	Reinforced	Poles (X)	Amps	Base Materials	Wire Range	Fuse Size	Fuses
6F30AXS	R6F30AXS	1/2/3	30	Phenolic	#10-#22 AWG CU	13/16" DIA BY 5"	A6Y CRS NLS NOS NRS OTS RES RFS RLS
6F30AXSP	R6F30AXSP				#10-#14 AWG CU		
6F30AXB	R6F30AXB				#6-#14 AWG CU		
6F60AXB	R6F60AXB				#2-#14 AWG CU #2-#12 AWG AL		
R6F100AXB	SAME	1/3	100	Phenolic	2/0-#14 AWG CU 2/0-#12 AWG AL	1 11/32" DIA BY 7 7/8"	
6F200AXBE					200	Polyester	250 kcmil - #6 AWG CU AL
R6F400AXB		400	Phenolic	(2) 350 kcmil - 1/0 AWG CU AL	2 29/32" DIA BY 11 5/8"		
6F600AXB	N/A	600		(2) 500 kcmil - 1/0 AWG CU AL	3 7/16" DIA BY 13 3/8"		



6F30A3B



R6F100A3B

Contact Customer Service for Stud Options  
See pages 13-15 for dimensional information

See pages 33-34 for available covers  
See page 35 for DIN Rail Adapter

Copper Box Connectors are available on 30 and 60 amp fuse holders.  
Add CU after the catalog number.

# Class R Fuse Holders - 250/600 Volt

## Specifications:

- Tested and Approved for 200,000 Amp Withstand Rating and Short Circuit Withstand Rating
- UL Listed File No. IZLT.E35113
- CSA Certified File No. LR21455
- CE
- RoHS Compliant

### 30 & 60 Amp

- Clip, Copper Alloy, Tin Plated, with Patented Reject Member
- Cool-Clip® Design
- For box connectors, internal hex screw option available

### 200 Amp

- Clip, One Piece Aluminum, Tin Plated, with Reject Pin

### 100 Amp

- Clip, Copper Alloy, Tin Plated with Reject Pin

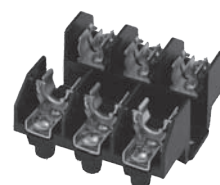
### 400 & 600 Amp

- Clip, Copper Alloy, Tin Plated, with Reject Pin

## 250 Volts - Catalog #:

Replace "X" with # of poles

Standard	Reinforced	Poles (X)	Amps	Base Materials	Wire Range	Fuse Size	Fuses		
R30AXS	SAME	1/2/3	30	Thermoplastic	#10-#22 AWG CU	9/16" DIA BY 2"	A2D-R		
R30AXSP					#10-#14 AWG CU		A2K-R		
R30AXB					#6-#14 AWG CU		DLN-R		
R60AXSQ*			#10-#22 AWG CU		60	Phenolic	13/16" DIA BY 3"	FLNR	
R60AXB								#2-#14 AWG CU	FRN-R
								#2-#12 AWG AL	KLNR
R100AXB	1/3	100	Phenolic	2/0-#14 AWG CU	1" DIA BY 5 7/8"	KLNR			
				2/0-#12 AWG AL		KTS-R			
R200AXBE				200		Polyester	250 kcmil - #6 AWG CU AL	1 1/2" DIA BY 7 1/8"	LLNRK
R400AXB	400	Phenolic	(2) 350 kcmil - 1/0 AWG CU AL		2 13/32" DIA BY 8 5/8"				LPN-RK
R600AXB									600
	N/A					TR-R			



R30A3S



R200A3BE

\*CSA Certified Only

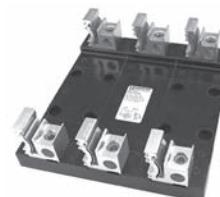
## 600 Volts - Catalog #:

Replace "X" with # of poles

Standard	Reinforced	Poles (X)	Amps	Base Materials	Wire Range	Fuse Size	Fuses		
6R30AXS	SAME	1/2/3	30	Phenolic	#10-#22 AWG CU	13/16" DIA BY 5"	A6D-R		
6R30AXSP					#10-#14 AWG CU		A6K-R		
6R30AXB					#6-#14 AWG CU		DLS-R		
6R60AXB			#2-#14 AWG CU		60	Phenolic	1 1/16" DIA BY 5 1/2"	FLSR	
								#2-#12 AWG AL	FLSR_ID
6R100AXB								2/0-#14 AWG CU	100
	2/0-#12 AWG AL	IDSR							
6R200AXBE	200	Polyester	250 kcmil - #6 AWG CU AL	1 3/4" DIA BY 9 5/8"	KLSR				
6R400AXB					400	Phenolic	(2) 350 kcmil - 1/0 AWG CU AL	2 29/32" DIA BY 11 5/8"	KTS-R
									600
	N/A					LLSRK_ID			
							LPS-RK		
							TRS-R		



6R30A3B



6R200A3BE

Contact Customer Service for Stud Options  
See pages 13-15 for dimensional information

See pages 33-34 for available covers  
See page 35 for DIN Rail Adapter

Copper Box Connectors are available on 30 and 60 amp fuse holders.  
Add CU after the catalog number.



# Class H/K/R Fuse Holder Dimensions

	Figure	A	B	C	D	E	F	G	H	I	J	K	L	
F30A RF30A R30A	1 POLE 2 POLE 3 POLE	SEE FIGURE #1												
F60A RF60A R60A	1 POLE 2 POLE 3 POLE	FIG 2	4.83	1.48 2.86 4.23	2.01	1.24	1.8	.50	.49	1.33	N/A	N/A	.218 DIA THRU .40 DIA X .63 C'BORE	.11
RF100A R100A	1 POLE 2 POLE 3 POLE	FIG 2	6.12	1.93 3.49 5.05	2.44	2.37	1.87	.62	.61	1.56	N/A	N/A	.28 DIA THRU .53 DIA X .59 C'BORE	.36

mm = dim X 25.4

For electronic drawings or 2D/3D CAD data, submit request at [www.marathonsp.com/drawings.html](http://www.marathonsp.com/drawings.html)

FIGURE 1:

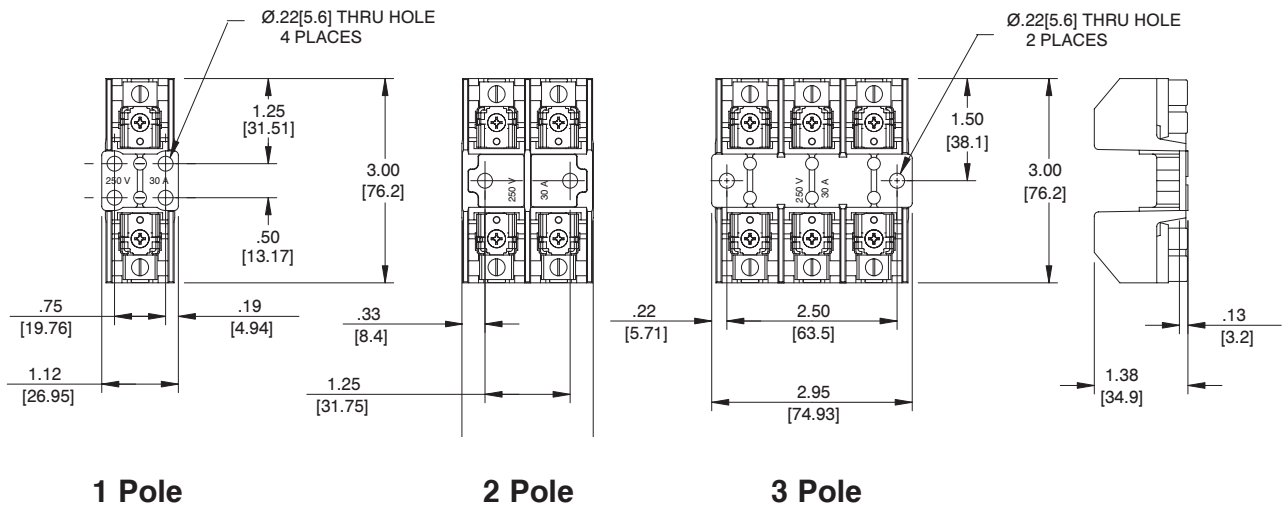
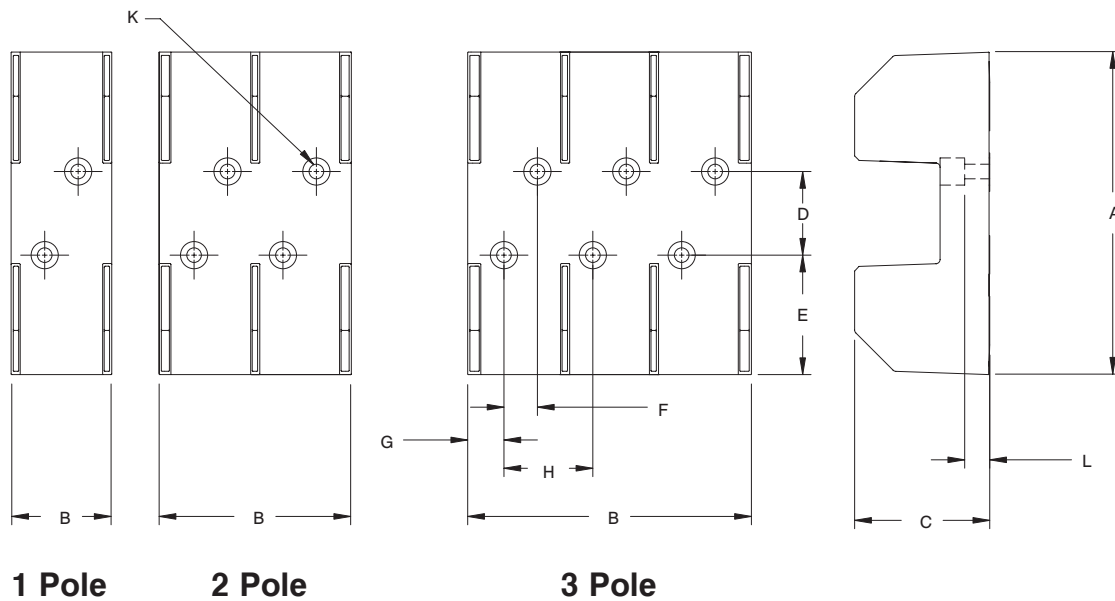


FIGURE 2:



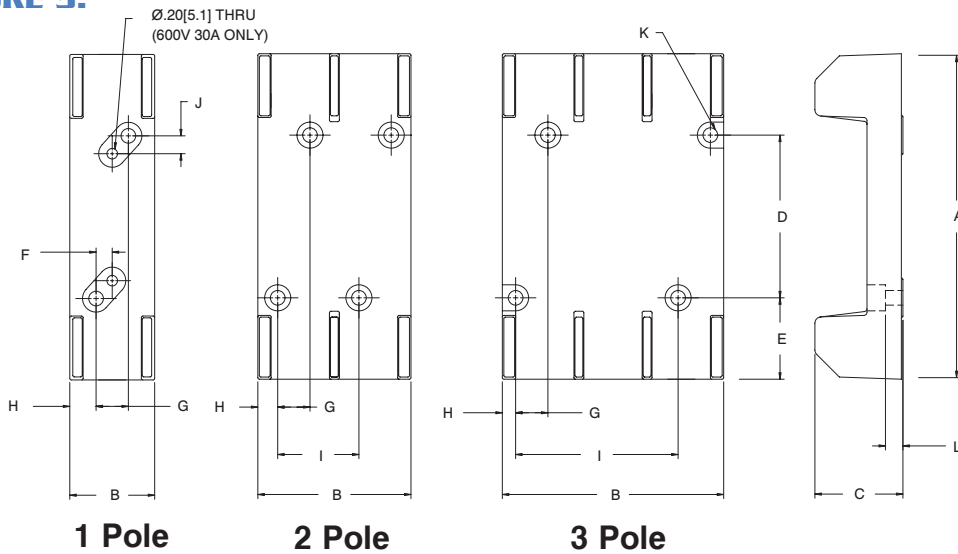
# Class H/K/R Fuse Holder Dimensions

		Figure	A	B	C	D	E	F	G	H	I	J	K	L
6F30A	1 POLE			1.63				.31		.51	N/A	.34		
R6F30A	2 POLE	FIG 3	6.25	2.94	1.69	3.13	1.56	N/A	.62	.38	1.56	N/A	.28 DIA THRU	
6R30A	3 POLE			4.25				N/A		.25	3.13	N/A	.50 DIA X .44 C'BORE	.25
6F60A	1 POLE			1.95							N/A			
R6F60A	2 POLE	FIG 3	6.75	3.51	2.12	3.12	1.81	N/A	.62	.66	1.56	N/A	.28 DIA THRU	
6R60A	3 POLE			5.08							3.12	N/A	.50 DIA X .50 C'BORE	.33
R6F100A	1 POLE			2.10							N/A			
6R100A	2 POLE	FIG 3	8.12	3.91	2.60	4.26	1.94	N/A	.87	.61	1.81	N/A	.28 DIA THRU	
	3 POLE			5.73							3.62	N/A	.59 DIA X .64 C'BORE	.23
F200A	1 POLE	FIG 4	7.13	3.00	3.01	3.00	2.06	2.00	.50	8.00	N/A	N/A	.28 DIA THRU	
R200A	3 POLE			9.00									.63 DIA X .38 C'BORE	.26
6F200A	1 POLE	FIG 4	9.63	3.00	3.01	3.00	3.31	2.00	.5	8.00	N/A	N/A	.33 DIA THRU	
6R200A	3 POLE			9.00									.73 DIA X .44 C'BORE	.26

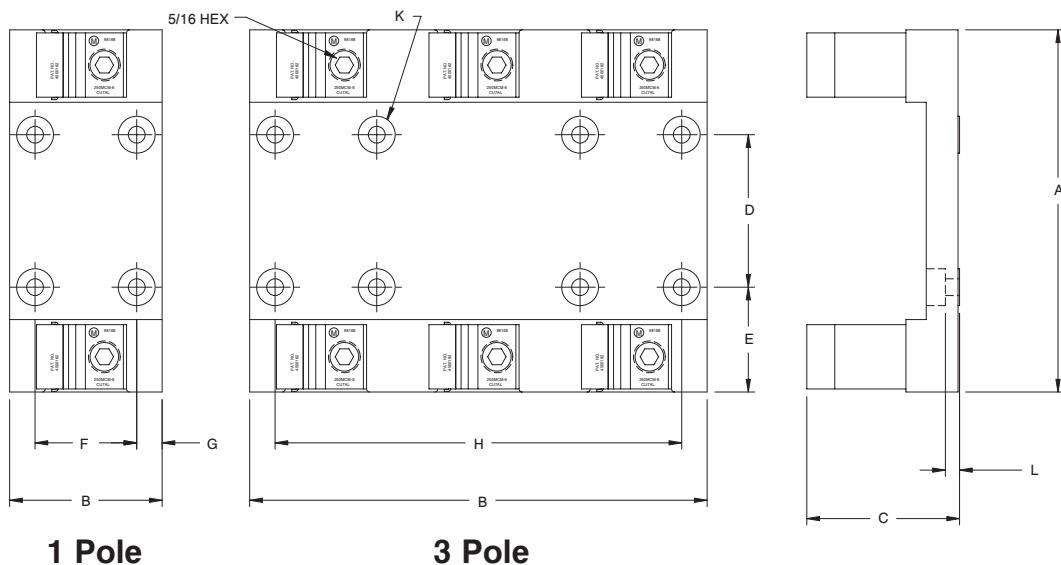
mm = dim X 25.4

For electronic drawings or 2D/3D CAD data, submit request at [www.marathonsp.com/drawings.html](http://www.marathonsp.com/drawings.html)

**FIGURE 3:**



**FIGURE 4:**



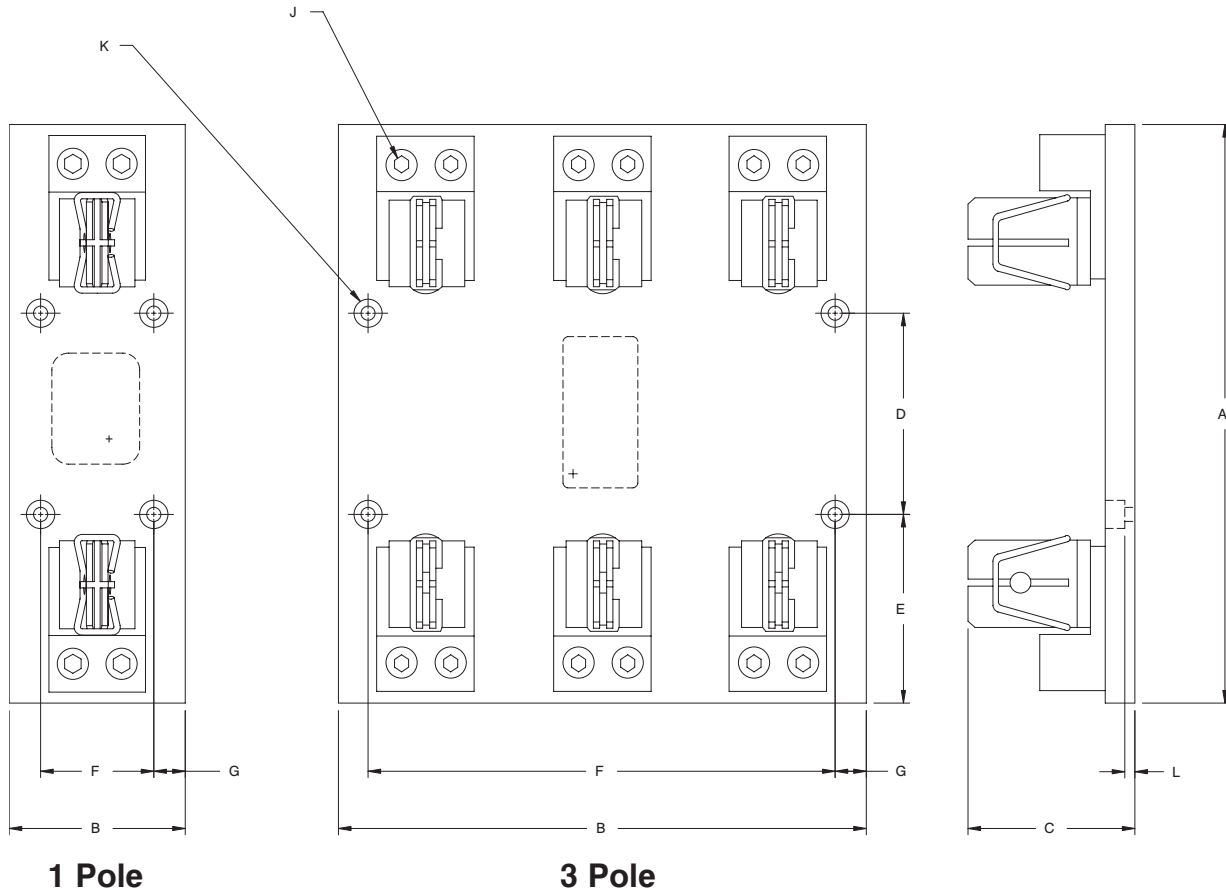
# Class H/K/R Fuse Holder Dimensions

		Figure	A	B	C	D	E	F	G	H	I	J	K	L
RF400A R400A	1 POLE 3 POLE	FIG 5	11.5	3.5 10.5	3.31	4.00	3.75	2.25 9.25	.62	N/A	N/A	5/16 HEX	.28 DIA THRU .56 DIA X .44 C'BORE	.19
F600A R600A	1 POLE 3 POLE	FIG 5	14.00	4.5 12.5	4.31	5.00	4.50	3.00 11.00	.75	N/A	N/A	3/8 HEX	.28 DIA THRU .56 DIA X .44 C'BORE	.19
R6F400A 6R400A	1 POLE 3 POLE	FIG 5	14.50	3.50 10.50	3.31	7.00	3.75	2.25 9.25	.62	N/A	N/A	5/16 HEX	.28 DIA THRU .56 DIA X .44 C'BORE	.19
6F600A 6R600A	1 POLE 3 POLE	FIG 5	17.0	4.50 12.50	4.31	8.00	4.50	3.00 11.00	.75	N/A	N/A	3/8 HEX	.28 DIA THRU .56 DIA X .44 C'BORE	.19

mm = dim X 25.4

For electronic drawings or 2D/3D CAD data, submit request at [www.marathonsp.com/drawings.html](http://www.marathonsp.com/drawings.html)

**FIGURE 5:**



# Class T Fuse Holders - 300/600 Volt<sup>+</sup>

## Specifications:

- Tested and Approved for 200,000 Amp Withstand Rating and Short Circuit Withstand Rating
- UL Listed File No. IZLT.E35113
- CSA Certified File No. LR21455
- **CE**
- RoHS Compliant

### 30 & 60 Amp

- Clip, Copper Alloy, Tin Plated
- Cool-Clip® Design
- For box connectors, internal hex screw option available

### 200 Amp

- Connector, One Piece Aluminum with Integral Heat Sink, Tin Plated Bolt
- 5/16"-18 X 3/4" Hex Head, 5/16" Belleville Washer

### 100 Amp

- Connector, One Piece Aluminum with Integral Heat Sink, Tin Plated Bolt
- 1/4"-20 X 1/2" Bolt, 1/4" Belleville Washer

### 400 & 600 Amp

- Connector, One Piece Aluminum with Integral Heat Sink, Tin Plated Bolt
- 3/8"-16 X 3/4" Hex Head, 3/8" Belleville Washer

## 300 Volts - Catalog#:

Replace "X" with # of poles

Standard	Reinforced	Poles (X)	Amps	Base Materials	Wire Range	Fuse Size	Fuses
T30AXB	RT30AXB	2/3	30	Phenolic	#2-#14 AWG CU	13/32" DIA BY 7/8"	A3T JJN JLLN
T60AXB	RT60AXB		60		#2-#12 AWG AL	9/16" DIA BY 7/8"	
T100AXB	N/A	1/3	100		2/0-#14 AWG CU	13/16" DIA BY 2 5/32"	
T200AXB			200		250 kcmil - #6 AWG CU AL	1 1/16" DIA BY 2 7/16"	
T400AXB		1	400		(2) 250 kcmil - #6 AWG CU AL	1 11/32" DIA BY 2 3/4"	
T600AXB			600		(2) 500 kcmil - #6 AWG CU AL	1 39/64" DIA BY 3 1/16"	



T30A3B



RT60A3B



6T100A3B

## 600 Volts - Catalog#:

Replace "X" with # of poles

Standard	Reinforced	Poles (X)	Amps	Base Materials	Wire Range	Fuse Size	Fuses
6T30AXS	R6T30AXS	2/3	30	Phenolic	#10-#22 AWG CU	9/16" DIA BY 1 1/2"	A6T JJS JLLS
6T30AXSP	R6T30AXSP				#10-#14 AWG CU		
6T30AXB	R6T30AXB				#2-#14 AWG CU	13/16" DIA BY 1 9/16"	
R6T60AXB	SAME	#2-#12 AWG AL					
6T100AXB	N/A	1/3	100		2/0-#14 AWG CU	13/16" DIA BY 2 61/64"	
6T200AXB			200		250 kcmil - #6 AWG CU AL	1 1/16" DIA BY 3 1/4"	
6T400AXB		1	400		(2) 250 kcmil - #6 AWG CU AL	1 39/64" DIA BY 3 5/8"	
6T600AXB			600		(2) 500 kcmil - #6 AWG CU AL	2 5/64" DIA BY 3 63/64"	



6T30A3SP



R6T60A3B

See pages 17-18 for dimensional information

Copper Box Connectors are available on 30 and 60 amp fuse holders.  
Add CU after the catalog number.

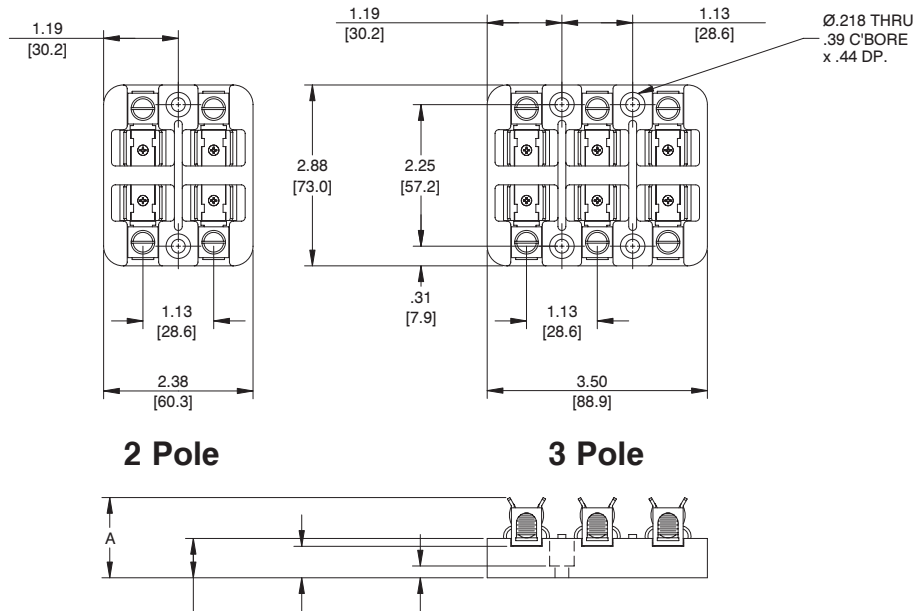
# Class T Fuse Holder Dimensions

		Figure	A	B	C	D	E	F	G	H	I	J
T30A RT30A	2 POLE 3 POLE	FIG 1	1.12	SEE FIGURE #1								
T60A RT60A	2 POLE 3 POLE	FIG 1	1.28	SEE FIGURE #1								
T100A	1 POLE 3 POLE	FIG 2	5.25	1.37 4.12	1.87	4.50	0.38	0.69	N/A 2.75	0.20 THRU 0.37 DIA X .44 C'BORE	3/16 HEX	.19
T200A	1 POLE 3 POLE	FIG 2	7.00	1.50 4.50	2.25	6.25	0.38	0.75	N/A 3.00	0.28 THRU 0.50 DIA X .44 C'BORE	5/16 HEX	.19
6T100A	1 POLE 3 POLE	FIG 2	6.06	1.37 4.12	1.87	5.31	0.38	0.69	N/A 2.75	0.20 THRU 0.37 DIA X .44 C'BORE	3/16 HEX	.19
6T200A	1 POLE 3 POLE	FIG 2	7.75	1.50 4.50	2.25	7.00	0.38	0.75	N/A 3.00	0.28 THRU 0.50 DIA X .44 C'BORE	5/16 HEX	.19

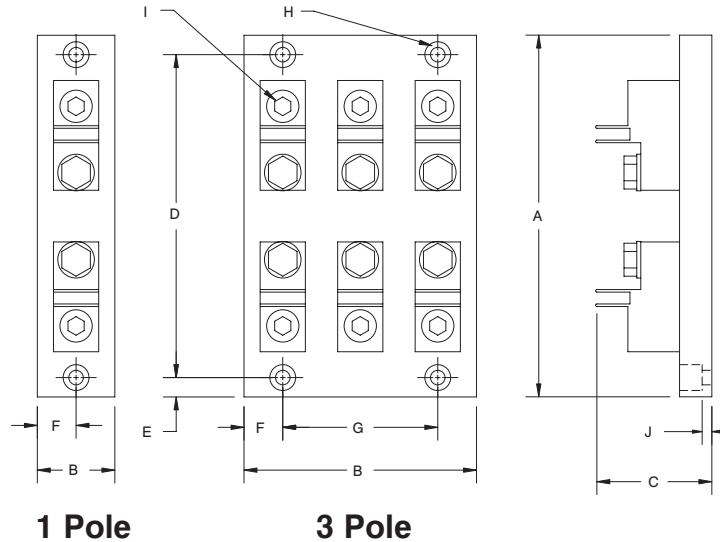
mm = dim X 25.4

For electronic drawings or 2D/3D CAD data, submit request at [www.marathonsp.com/drawings.html](http://www.marathonsp.com/drawings.html)

**FIGURE 1:**



**FIGURE 2:**



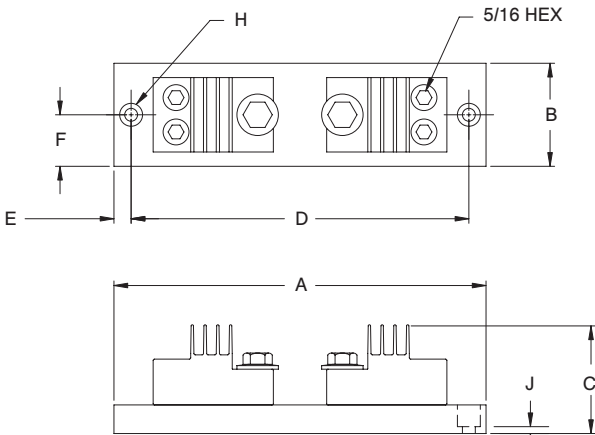
# Class T Fuse Holder Dimensions

		Figure	A	B	C	D	E	F	G	H	I	J
T400A	1 POLE	FIG 3	8.12	2.25	2.37	7.37	0.38	1.12	N/A	0.28 THRU 0.50 DIA X .44 C'BORE	N/A	.19
6T400A	1 POLE	FIG 3	9.00	2.25	2.37	8.25	0.38	1.12	N/A	0.28 THRU 0.50 DIA X .44 C'BORE	N/A	.19
T600A	1 POLE	FIG 4	8.75	2.75	2.62	8.06	0.34	0.38	2.00	0.28 THRU 0.50 DIA X .44 C'BORE	N/A	.19
6T600A	1 POLE	FIG 4	9.75	2.75	2.62	9.00	0.38	0.38	2.00	0.28 THRU 0.50 DIA X .44 C'BORE	N/A	.19
6T30A R6T30A	2 POLE 3 POLE	FIG 5	1.28	<b>SEE FIGURE #5</b>								
R6T60A	2 POLE 3 POLE	FIG 5	1.74	<b>SEE FIGURE #5</b>								

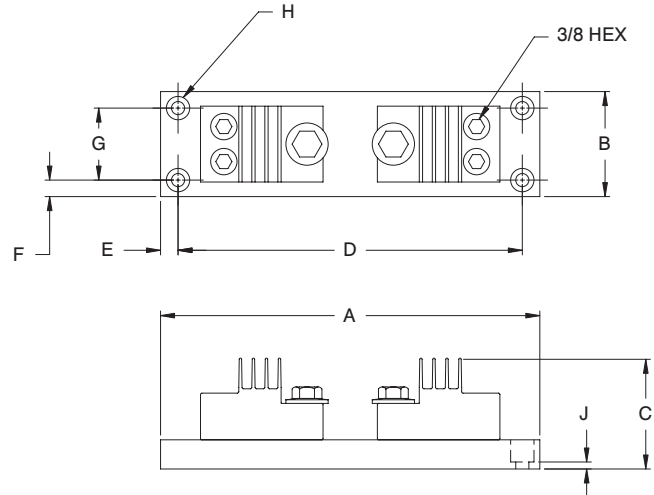
mm = dim X 25.4

For electronic drawings or 2D/3D CAD data, submit request at [www.marathonsp.com/drawings.html](http://www.marathonsp.com/drawings.html)

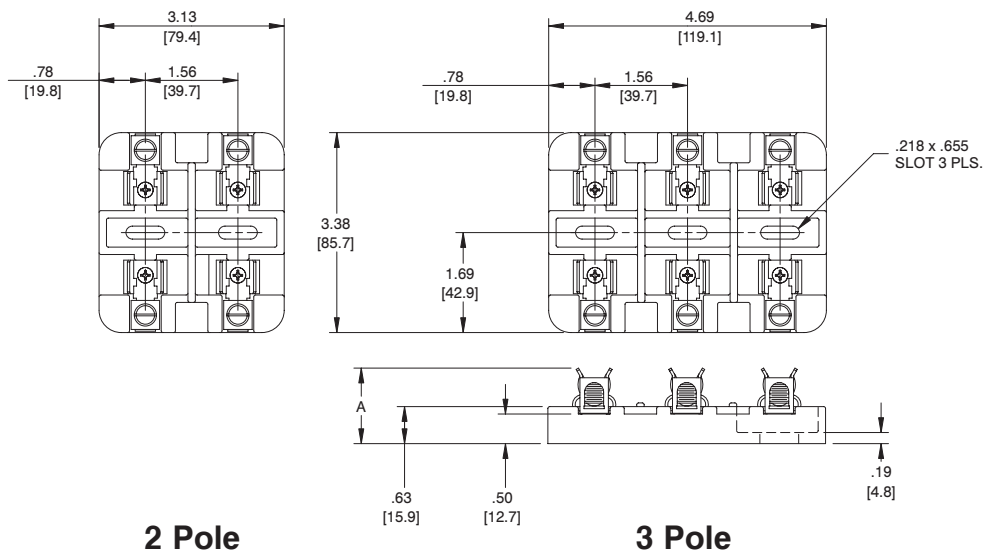
**FIGURE 3:**



**FIGURE 4:**



**FIGURE 5:**



# Class J Fuse Holders - 600 Volt<sup>+</sup>

## Specifications:

- Tested and Approved for 200,000 Amp Withstand Rating and Short Circuit Withstand Rating
- UL Listed File No. IZLT.E35113 (6J200, 6J400 and 6J600 fuse holders, cUL File No. 1ZLT8.E35113)
- CSA Certified File No. LR21455
- **CE**
- RoHS Compliant

### 30 & 60 Amp

- Clip, Copper Alloy, Tin Plated
- Cool-Clip<sup>®</sup> Design
- Integral DIN Rail Mount and Expander Block (Available only on 30 Amp)
- For box connectors, internal hex screw option available

### 200 Amp

- Connector, One Piece Aluminum, Tin Plated (Optional One Piece Copper, Nickel Plated - Add "CU") - Consult Customer Service
- FBD, Fuse Bolt-Down Construction

### 100 Amp

- Clip, Copper Alloy, Tin Plated
- 1-Pole Molding Incorporates a Dovetail Feature for Ganging Multiple Poles

### 400 & 600 Amp

- Connector, One Piece Aluminum, Tin Plated (Optional One Piece Copper, Nickel Plated - Add "CU") - Consult Customer Service
- FBD, Fuse Bolt-Down Construction

## Catalog #:

Replace "X" with # of poles (E = Expander)

Standard	Reinforced	Poles (X)	Amps	Base Materials	Wire Range	Fuse Size	Fuses
6J30AXS	R6J30AXS	1/2/3/E	30	Thermoplastic	#10-#22 AWG CU	13/16" DIA BY 2 1/4"	A4J
6J30AXSP	R6J30AXSP				#10-#14 AWG CU		
6J30AXB	R6J30AXB				#6-#14 AWG CU		
6J60AXB	R6J60AXB	1/2/3	60	Phenolic	#2-#14 AWG AL	1 1/16" DIA BY 2 3/8"	AJT
R6J100AXB	SAME	1	100		2/0-#14 AWG CU	1 1/8" DIA BY 4 5/8"	JLS
		3			2/0-#12 AWG AL		
6J200AXBFBFD		1/3	400		350 kcmil - #6 AWG CU AL	1 5/8" DIA BY 5 3/4"	JTD
6J400AXBFBFD					(1) 350 kcmil - #6 AWG CU AL (1) 600 kcmil - #2 AWG CU AL	2 1/8" DIA BY 7 1/8"	JTD_ID
6J600AXBFBFD					(2) 500 kcmil - #4 AWG CU AL	2 5/8" DIA BY 8"	LPJ

Contact Customer Service for Stud Options - see pages 20-21 for dimensional information  
Fuse mounting hardware supplied with fuse holder

See pages 33-34 for available covers



R6J30A3S



6J60A3B



6J600A3BFBFD

DIMENSIONS		Figure	A	B	C	D	E	F	G	H	M	EXPANDER
6J30A R6J30A	1 POLE 2 POLE 3 POLE	FIG 1 (p. 20)	3.38	1.16 2.20 3.25	1.95	1.69	1.04	0.30	0.57	.22 X .79 SLOT	0.24	YES
6J200A	1 POLE 3 POLE	SEE FIGURE #2 (page 20)										
6J60A R6J60A	1 POLE 2 POLE 3 POLE	SEE FIGURE #3 (page 20)										
6J400A	1 POLE 3 POLE	SEE FIGURE #4 (page 21)										
6J600A	1 POLE 3 POLE	SEE FIGURE #5 (page 21)										
R6J100A	1 POLE 3 POLE	SEE FIGURE #6 (page 21)										

mm = dim X 25.4

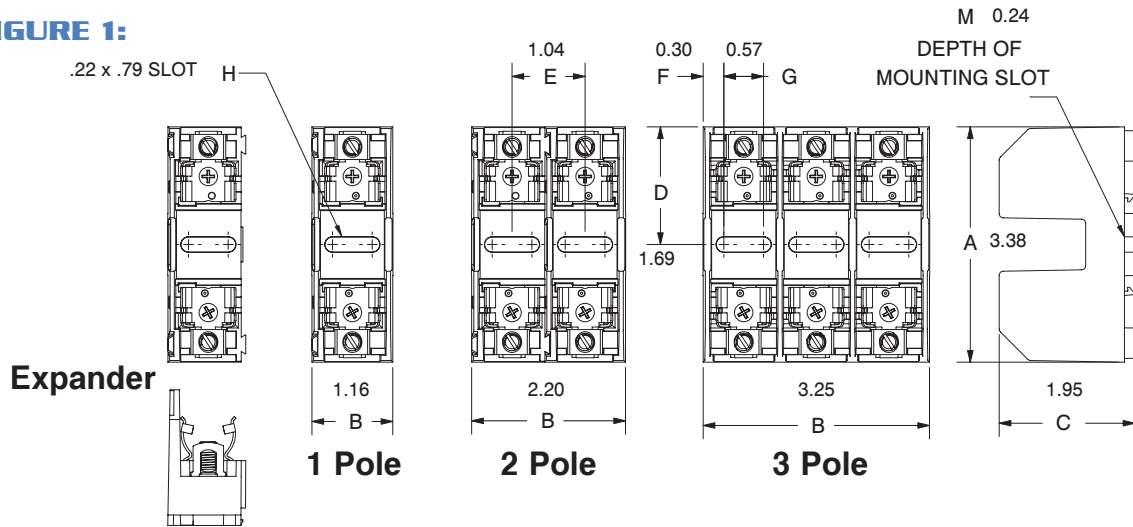
Copper Box Connectors are available on 30 and 60 amp fuse holders.

Add CU after the catalog number.

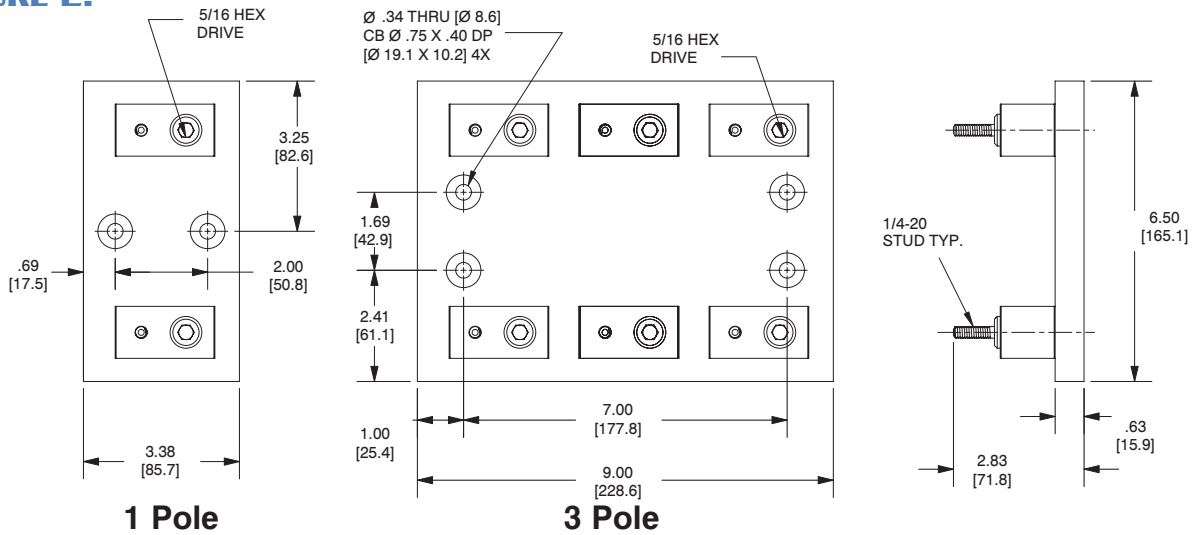
For electronic drawings or 2D/3D CAD data, submit request at [www.marathonsp.com/drawings.html](http://www.marathonsp.com/drawings.html)

# Class J Fuse Holder Dimensions

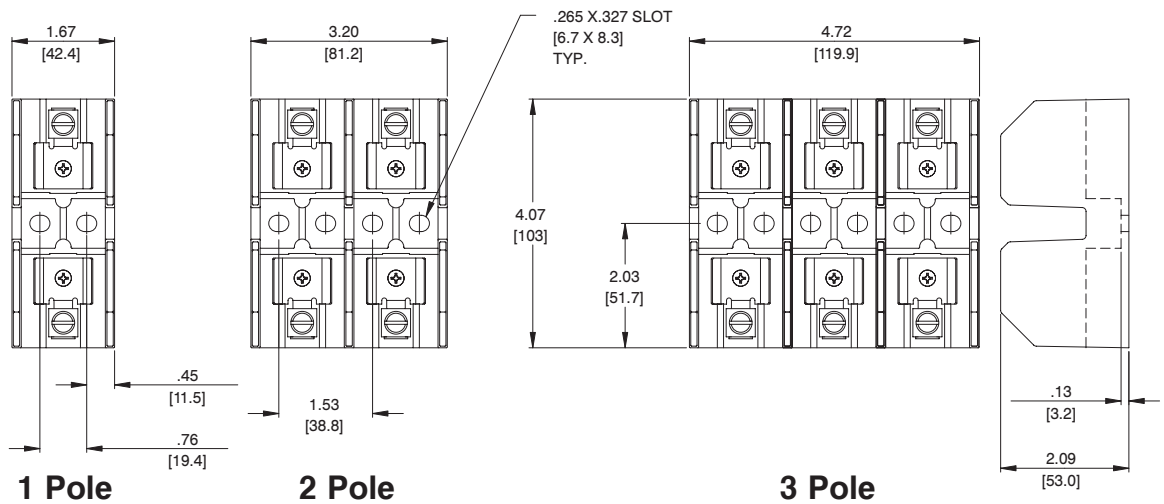
**FIGURE 1:**



**FIGURE 2:**



**FIGURE 3:**



For electronic drawings or 2D/3D CAD data, submit request at [www.marathonsp.com/drawings.html](http://www.marathonsp.com/drawings.html)



# Class J Fuse Holder Dimensions

FIGURE 4:

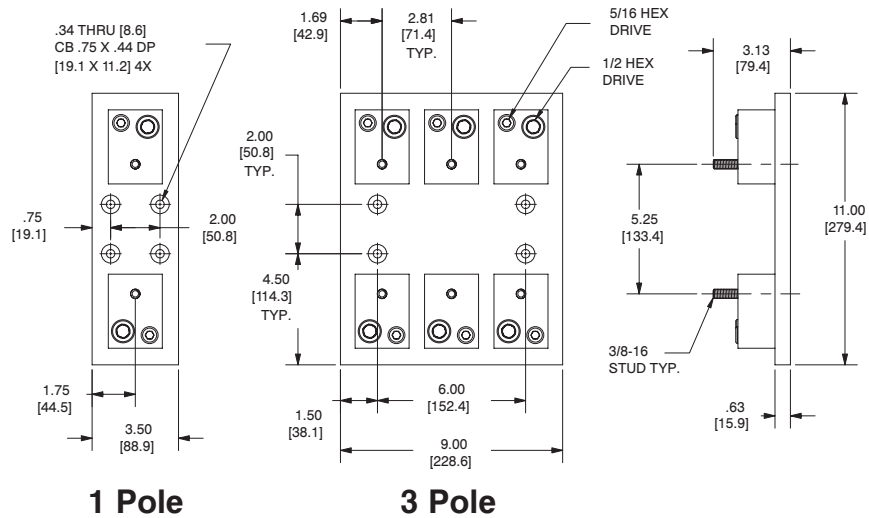


FIGURE 5:

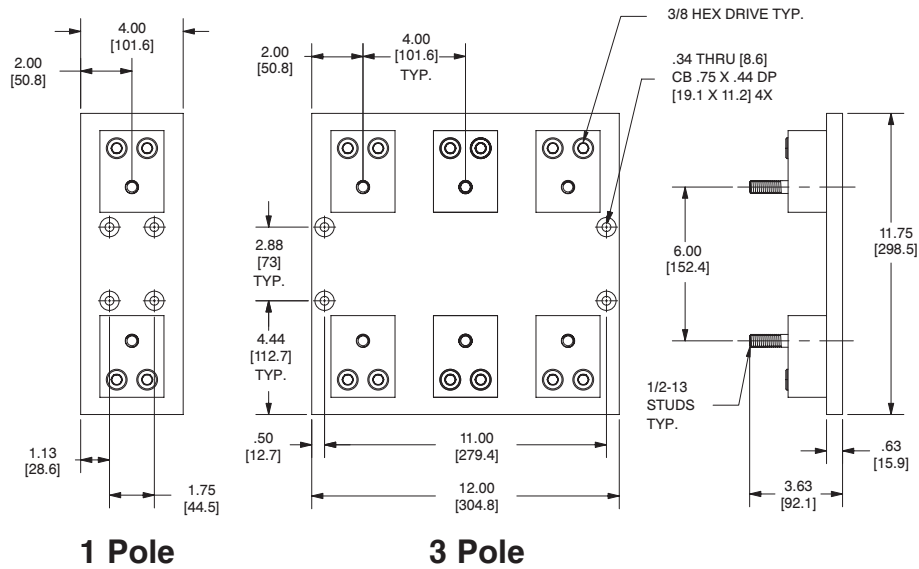
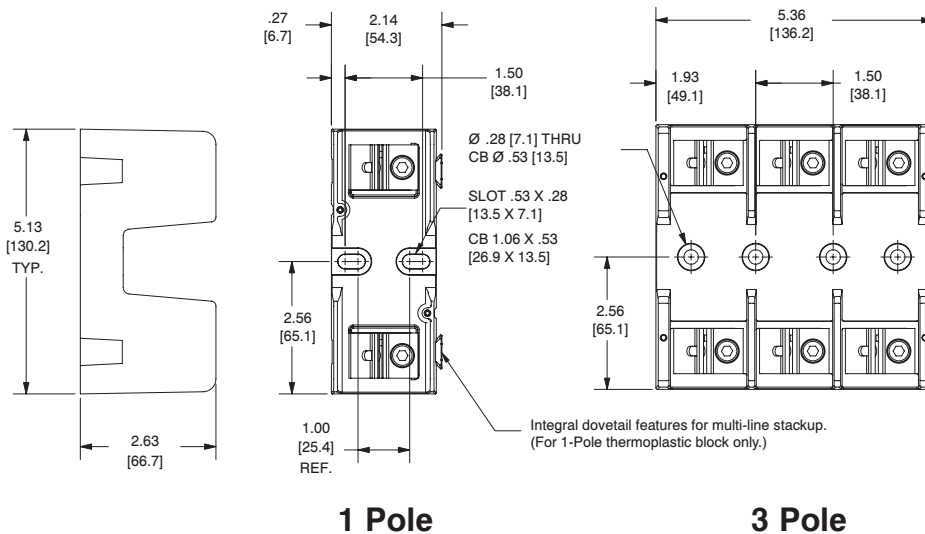


FIGURE 6:



For electronic drawings or 2D/3D CAD data, submit request at [www.marathonsp.com/drawings.html](http://www.marathonsp.com/drawings.html)

# Class J Enclosed Fuse Holders

## 600 Volt

### Specifications:

- Tested and Approved for 200,000 Amp Short Circuit Withstand Rating
- Touchsafe IEC Type Design (IP20)
- Blown fuse indicating type available (6SJ30AXI and 6SJ60AXI)
- Red dual LED indicator - range of operating voltage 110-600V AC/DC, use either polarity for DC application
- UL Listed File No. IZLT.E35113
- CSA Certified File No. LR21455
- **CE**
- RoHS Compliant



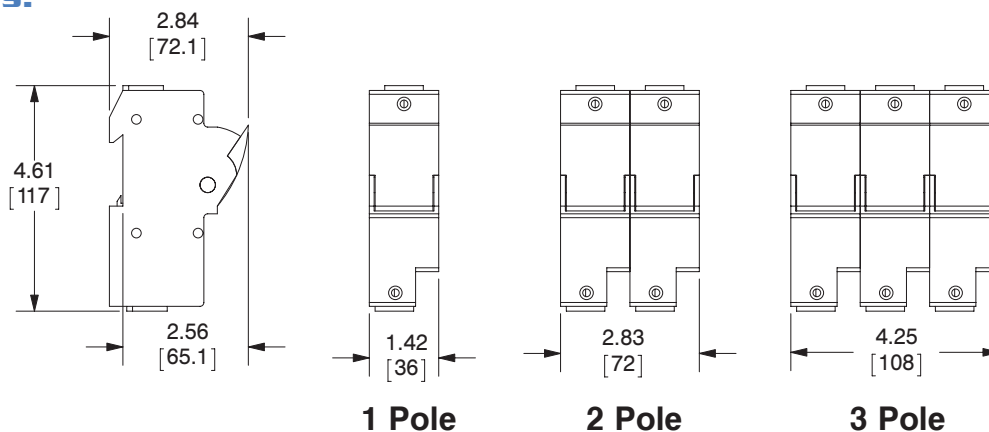
Shown left to right: 6SJ30A3I, 6SJ60A

### Catalog #:

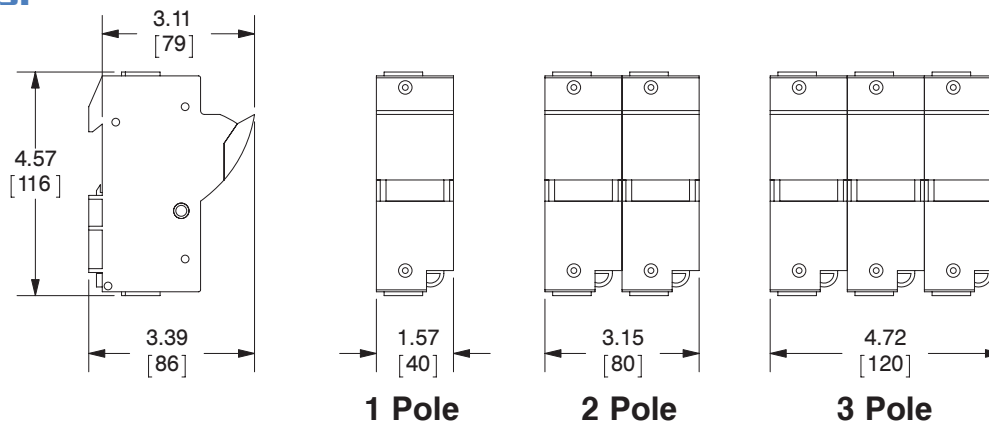
Replace "X" with # of poles

Standard	Poles (X)	Amps	Base Materials	Wire Range	Fuse Size	Fuses
6SJ30AX	1/2/3	30	Thermoplastic	#1 - #18 AWG or (2) #10-18 AWG <i>same size &amp; construction</i>	13/16" DIA BY 2 1/4"	A4J, AJT JKS, JLS, JTD, JTD_ID, LPJ
6SJ30AXI						
6SJ60AX	1/2/3	60		#1 - #10 AWG or (2) #6-10 AWG <i>same size &amp; construction</i>	1 1/16" DIA BY 2 3/8"	
6SJ60AXI						

### 30 AMPS:



### 60 AMPS:



For electronic drawings or 2D/3D CAD data, submit request at [www.marathonsp.com/drawings.html](http://www.marathonsp.com/drawings.html)

# M Fuse Holders - 600 Volt<sup>+</sup>

## Specifications:

- Tested and Approved for 100,000 Amp Withstand Rating and Short Circuit Withstand Rating
- Clip, Copper Alloy, Tin Plated
- Quick Connect Standard with Screw (S) or Sems Pressure (SP)
- UL Recognized File No. IZLT2.E35113
- CSA Certified File No. LR21455
- **CE** - Rated for 1000 Volts
- RoHS Compliant



6M30A3SPQ



6M30A3B

## Catalog #:

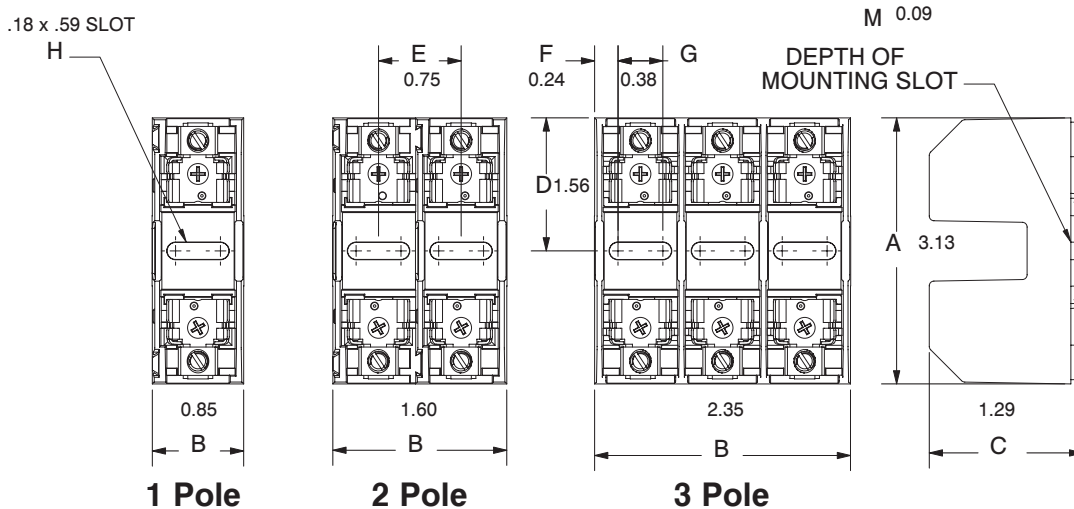
Replace "X" with # of poles

Standard	Reinforced	Poles (X)	Amps	Base Materials	Wire Range	Fuse Size	Fuses
6M30AXSQ	N/A	1/2/3	30	Thermoplastic	#10-#22 AWG CU	13/32" DIA BY 1 1/2"	A13X-2, A25Z-2, A60Q-2, A6Y-2B, AGU, ATM, ATQ, BAF, BAN, BLF, BLN, BLS, FLA, FLM, FLQ, FNM, FNQ, GFN, GGO, KLK, KLKD, KLQ, KTK, OTM, TRM
6M30AXSPQ					#10-#14 AWG CU		
6M30AXB					#6-#14 AWG CU		
6M30AXBCU							

See pages 33-34 for available covers  
See page 35 for DIN Rail Adapter

For electronic drawings or 2D/3D CAD data, submit request at [www.marathonsp.com/drawings.html](http://www.marathonsp.com/drawings.html)

Copper Box Connectors are available on 30 and 60 amp fuse holders.  
Add CU after the catalog number.



mm = dim X 25.4

# Midget Enclosed Fuse Holders

## 600/1000 Volt

### Specifications:

- 30 Amps, 600 Volts; 6SM30AX-C rated 1000 Volts
- Tested and Approved for 200,000 RMS Symmetrical Amps Withstand Rating and Short Circuit Current Ratings (SCCR)
- DIN Rail Mount (35mm)
- Touchsafe Design IEC Type IP20
- Handle Allows Quick Easy Fuse Change
- Blown Fuse Indication Available
- AC & DC Rated
- Indication light AC and DC 65 VAC, 90 VDC Volts Minimum
- Base Materials: Thermoplastic
- UL Recognized for US and Canada, IZLT2.E35113, IZLT8.E35113
- **CE**
- RoHS Compliant



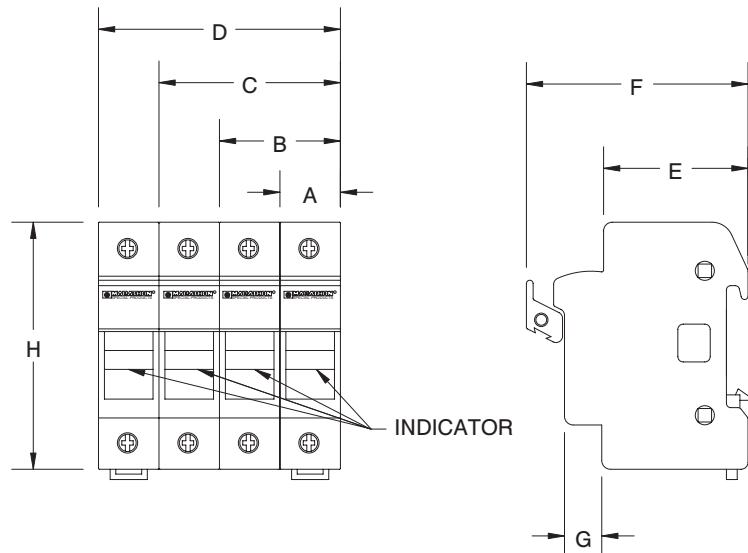
Shown left to right: 6SM30A3I-C, 6SM30A1-C, 6SM30A1-C shown with fuse (fuse not included)

Replace "X" with number of poles

Catalog #	Indicating	Poles	Wire Range	Fuse Size	Fuses
6SM30AX-C	No	1/2/3/4	1) #6-18 CU Stranded	MIDGET 13/32" DIA BY 1 1/2" (10x38 mm)	A13X-2, A25Z-2, A60Q-2, A6Y-2B, AGU, ATM, ATQ, BAF, BAN, BLF, BLN, BLS, FLA, FLM, FLQ, FNM, FNQ, GFN, GGO, KLK, KLKD, KLQ, KTK, OTM, TRM
6SM30AXI-C	Yes	1/2/3/4	1) #10-18 Solid 2) #10-18 stranded		

EFK-MCKK - Pin kit (used for ganging multiple poles) - includes 10 handle pins and 20 body clips, use one handle pin and two body clips per pole

Dim.	mm	Inches
A	17.8	0.70
B	35.6	1.40
C	53.3	2.10
D	71.1	2.80
E	43.2	1.70
F	59.7	2.35
G	12.2	0.48
H	79.2	3.12



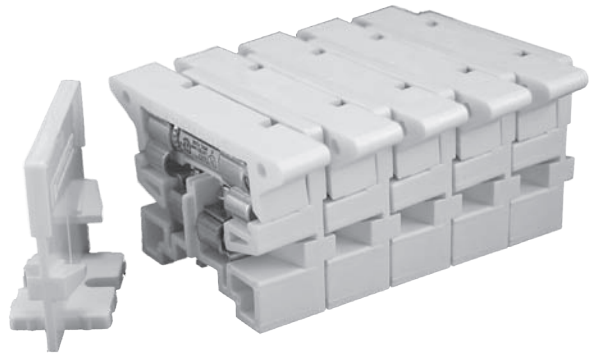
For electronic drawings or 2D/3D CAD data, submit request at [www.marathonsp.com/drawings.html](http://www.marathonsp.com/drawings.html)

# Midget Fuse Holders - 600 Volt

## 30 Amp Sectional Version

### Specifications:

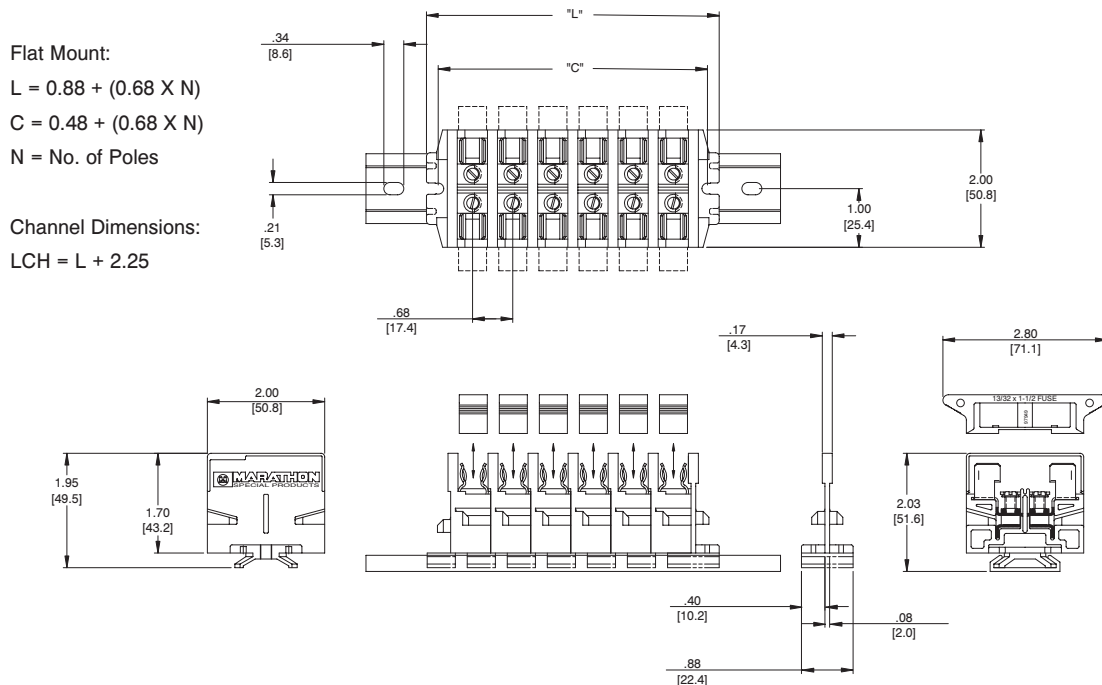
- Tested and Approved for 10,000 Amp Withstand Rating and Short Circuit Withstand Rating
- Base, White Nylon - Type 6/6, 105°C
- Connector Box Type
- Accepts up to #10 AWG Wire, either Terminated or Non-Terminated
- Clip, Copper Alloy, Tin Plated
- UL Recognized File No. IZLT2.E35113
- CSA Certified File No. LR21455
- CE
- RoHS Compliant



6W30A1F with end piece (fuse not included)

Standard	Description	Std Pack	Wire Range	Fuse Size	Fuses
6W30A1F	Flat Mount	10	#10-#14 AWG CU STRANDED	13/32" DIA BY 1 1/2" (10x38)	A13X-2, A25Z-2, A60Q-2, A6Y-2B, AGU, ATM, ATQ, BAF, BAN, BLF, BLN, BLS, FLA, FLM, FLQ, FNM, FNQ, GFN, GGO, KLK, KLKD, KLQ, KTK, OTM, TRM
6W30A1C	Channel Mount				
6WEF	End Piece (flat)				
6WEC	End Piece (channel)	25			
MC	Mounting Clamp				
MPC-6	6 Foot Channel				
MPC-3	3 Foot Channel	-			
GR-2	1/8" Diameter X 2' Long Nylon Rod	-			

For electronic drawings or 2D/3D CAD data, submit request at [www.marathonsp.com/drawings.html](http://www.marathonsp.com/drawings.html)



# CC Fuse Holders - 600 Volt

## Specifications:

### 30 Amp

- Tested and Approved for 200,000 Amp Withstand Rating and Short Circuit Withstand Rating
- Clip, Copper Alloy, Tin Plated with Patented Reject Member
- Quick Connect Standard with Screw (S) or Sems Pressure (SP)
- For box connectors, internal hex screw option is available
- UL Listed File No. IZLT.E35113
- CSA Certified File No. LR21455
- **CE**
- RoHS Compliant

### 60 Amp

- Tested and Approved for 200,000 Amp Withstand Rating and Short Circuit Withstand Rating
- Cool-Clip® Design
- Clip, Copper Alloy, Tin Plated
- Integral DIN Rail Mount
- Expander Block Available
- For box connectors, internal hex screw option is available
- UL Listed File No. IZLT2.E35113, Class CD
- CSA Certified File No. LR21455-91
- **CE**
- RoHS Compliant



6CC30A3SQ



6CC30A3B



R6CC60A3B

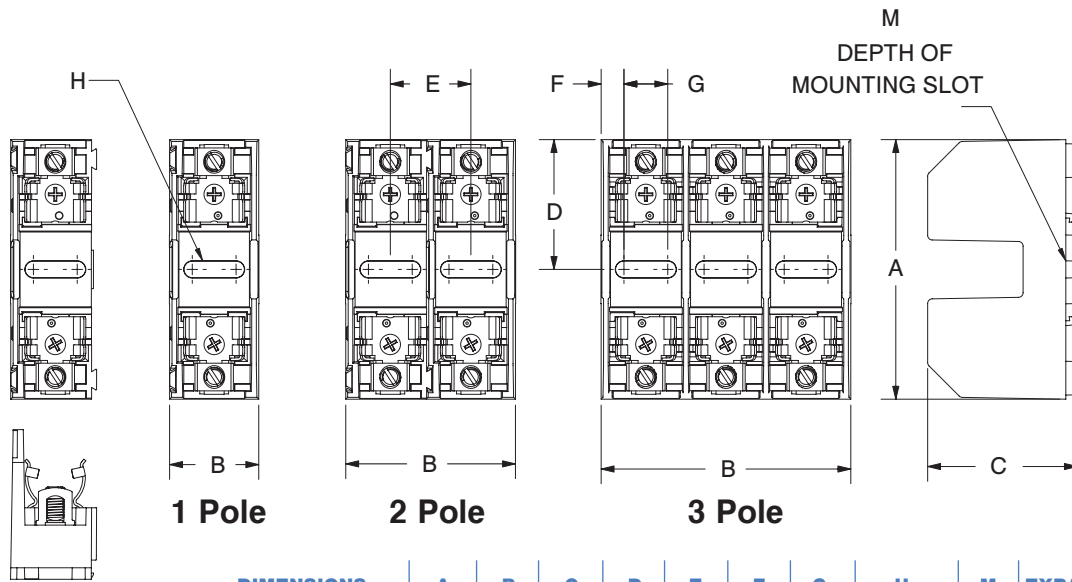
## Catalog #:

Replace "X" with # of poles (E = Expander)

Standard	Reinforced	Poles (X)	Amps	Base Materials	Wire Range	Fuse Size	Fuses
6CC30AXSQ	N/A	1/2/3	30	Thermoplastic	#10-#22 AWG CU	CLASS CC ONLY	ATDR, ATMR
6CC30AXSPQ					#10-#14 AWG CU		ATQR, CCMR
6CC30AXB					#6-#14 AWG CU		FNQ-R
6CC30AXBCU					#2-#14 AWG CU #2-#12 AWG AL	0.70" DIA BY 1.85"	KLDR, KLKR, KTK-R, LP-CC
R6CC60AXB	SAME	1/2/3/E	60				CCMR

See pages 33-34 for available covers  
See page 35 for DIN Rail Adapter

Copper Box Connectors are available on 30 and 60 amp fuse holders.  
Add CU after the catalog number.



## Expander

DIMENSIONS		A	B	C	D	E	F	G	H	M	EXPANDER
6CC30A	1 POLE		0.85						.18 X .59 SLOT	0.09	NO
	2 POLE	3.13	1.60	1.29	1.56	0.75	0.24	0.38			
	3 POLE		2.35								
R6CC60A	1 POLE		1.11						.18 X .74 SLOT	0.09	YES
	2 POLE	3.35	2.12	1.89	1.68	1.01	0.27	0.57			
	3 POLE		3.12								

mm = dim X 25.4

For electronic drawings or 2D/3D CAD data, submit request at [www.marathonsp.com/drawings.html](http://www.marathonsp.com/drawings.html)

# Class CC Enclosed Fuse Holders - 600 Volt

## Specifications:

- 30 Amps, 600 Volts
- Tested and Approved for 200,000 RMS Symmetrical Amps Withstand Rating and Short Circuit Current Ratings (SCCR)
- DIN Rail Mount (35mm)
- Touchsafe Design IEC Type IP20
- Handle Allows Quick Easy Fuse Change
- Blown Fuse Indication Available
- AC & DC Rated
- Indication light AC and DC 65 VAC, 90 VDC Volts Minimum
- Base Materials: Thermoplastic
- UL Listed for US File No. IZLT.E35113, UL Certified for Canada File No. IZLT7.E35113
- **CE**
- RoHS Compliant



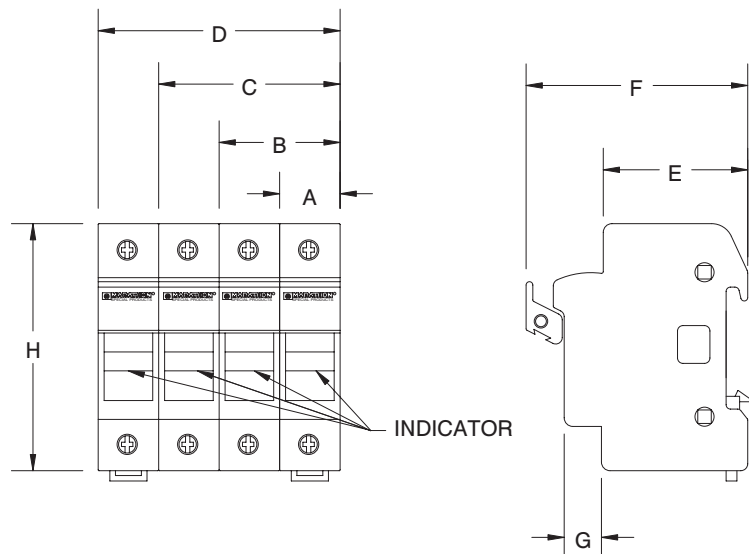
Shown left to right: 6SM30A3I-C, 6SM30A1-C, 6SM30A1-C shown with fuse (fuse not included)

Replace "X" with number of poles

Catalog #	Indicating	Poles	Wire Range	Fuse Size	Fuses
6SC30AX-C	No	1/2/3/4	1) #6-18 CU Stranded	CLASS CC 13/32" DIA BY 1 1/2"	ATDR, ATMR, ATQR, CCMR, FNQ-R, KLDR, KLR, KTK-R, LP-CC
6SC30AXI-C	Yes	1/2/3/4	1) #10-18 Solid 2) #10-18 stranded		

EFK-MCKK - Pin kit (used for ganging multiple poles) - includes 10 handle pins and 20 body clips, use one handle pin and two body clips per pole

Dim.	mm	Inches
A	17.8	0.70
B	35.6	1.40
C	53.3	2.10
D	71.1	2.80
E	43.2	1.70
F	59.7	2.35
G	12.2	0.48
H	79.2	3.12



For electronic drawings or 2D/3D CAD data, submit request at [www.marathonsp.com/drawings.html](http://www.marathonsp.com/drawings.html)

# Class G Fuse Holders

## Specifications:

- Tested and Approved for 100,000 Amp Withstand Rating and Short Circuit Withstand Rating
- Clip, Copper Alloy, Tin Plated
- Quick Connect Standard with Screw (S) or Sems Pressure (SP)
- For box connectors, internal hex screw option available
- UL Listed File No. IZLT.E35113
- CSA Certified File No. LR21455
- **CE**
- RoHS Compliant

## 1/2 - 15 Amps (600 Volt)

Replace "X" with # of poles

Catalog #		Poles (X)	Amps	Base Materials	Wire Range	Fuse Size	Fuses
Standard	Reinforced						
G15AXSQ	RG15AXSQ	1/2/3	15	Thermoplastic	#10-#22 AWG CU	13/32" DIA BY 1 5/16"	AG
G15AXSPQ	RG15AXSPQ				#10-#14 AWG CU		SC
G15AXB	RG15AXB				#6-#14 AWG CU		SLC
G15AXBCU	RG15AXBCU						



G15A3SPQ

## 20 Amps (600 Volt)

Catalog #		Poles (X)	Amps	Base Materials	Wire Range	Fuse Size	Fuses
Standard	Reinforced						
G20AXSQ	RG20AXSQ	1/2/3	20	Thermoplastic	#10-#22 AWG CU	13/32" DIA BY 1 13/32"	AG
G20AXSPQ	RG20AXSPQ				#10-#14 AWG CU		SC
G20AXB	RG20AXB				#6-#14 AWG CU		SLC
G20AXBCU	RG20AXBCU						



G20A3SQ

## 25-30 Amps (480 Volt)

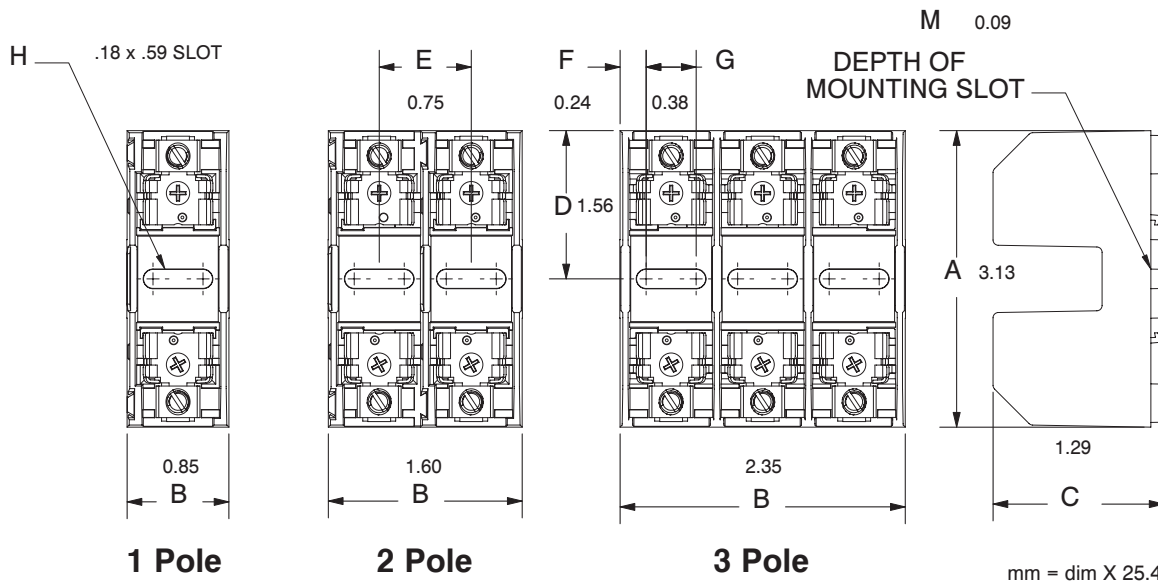
Catalog #		Poles (X)	Amps	Base Materials	Wire Range	Fuse Size	Fuses
Standard	Reinforced						
G30AXSQ	RG30AXSQ	1/2/3	30	Thermoplastic	#10-#22 AWG CU	13/32" DIA BY 1 5/8"	AG
G30AXSPQ	RG30AXSPQ				#10-#14 AWG CU		SC
G30AXB	RG30AXB				#6-#14 AWG CU		SLC
G30AXBCU	RG30AXBCU						



G30AXB

See pages 33-34 for available covers  
See page 35 for DIN Rail Adapter

Copper Box Connectors are available on 30 and 60 amp fuse holders.  
Add CU after the catalog number.





For electronic drawings or 2D/3D CAD data, submit request at [www.marathonsp.com/drawings.html](http://www.marathonsp.com/drawings.html)



# Semi Conductor Fuse Holders

## 600 Volt

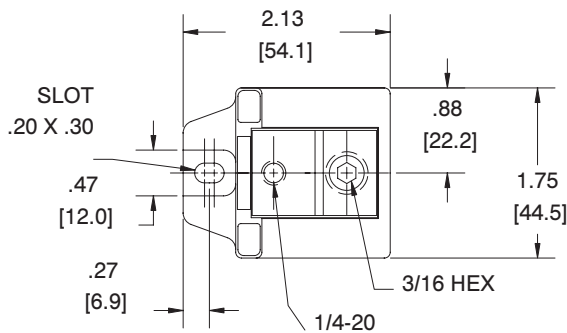
### Box Version - Specifications:

- 200,000 Amp Withstand Rating
- Insulator Base, General Purpose Phenolic, 150°C (UL RTI)
- Hex-Head Bolts and Belleville Washers Provided Unassembled
- Connector - Aluminum, Tin Plated
- Dove-tail Interlocking Feature on 1MS101
- Two-piece Modular Design
- UL Recognized File No. IZLT2.E35113
- RoHS Compliant
-  

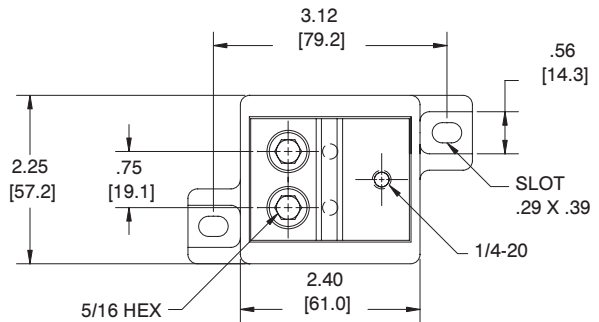


Catalog #	Maximum Amperage	Wire Range	Tested At:	
			I <sup>2</sup> t	I <sub>p</sub>
1MS101	100	2/0 - #14	193 kA	27.4 kA
1MS102	400	(2) 250 kcmil - #6	3480 kA	69.5 kA
1MS103	400	(2) 250 kcmil - #6	3480 kA	69.5 kA
1MS104	600	(2) 500 kcmil - #6	2840 kA	50.8 kA

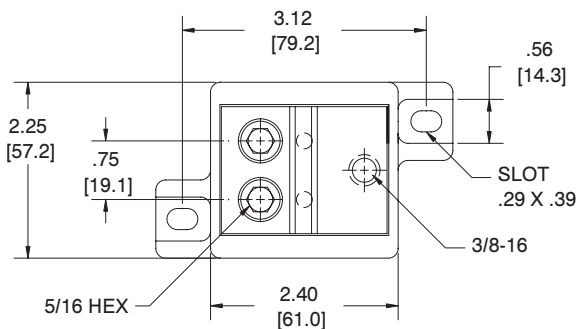
**NOTE: Order two blocks per fuse**



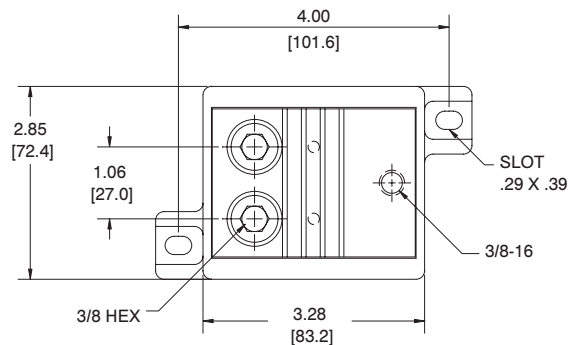
**1MS101**



**1MS102**



**1MS103**




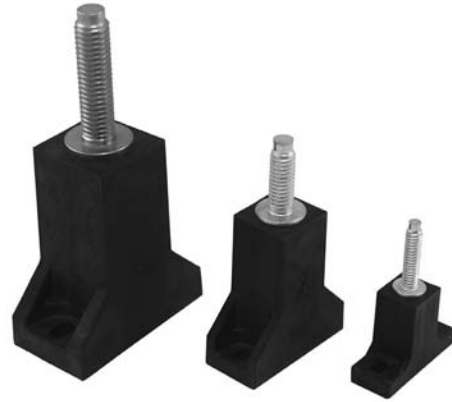
**1MS104**

For electronic drawings or 2D/3D CAD data, submit request at [www.marathonsp.com/drawings.html](http://www.marathonsp.com/drawings.html)

# General Purpose/Semi Conductor Fuse Holders - 1000 Volt

## Stud Version - Specifications:

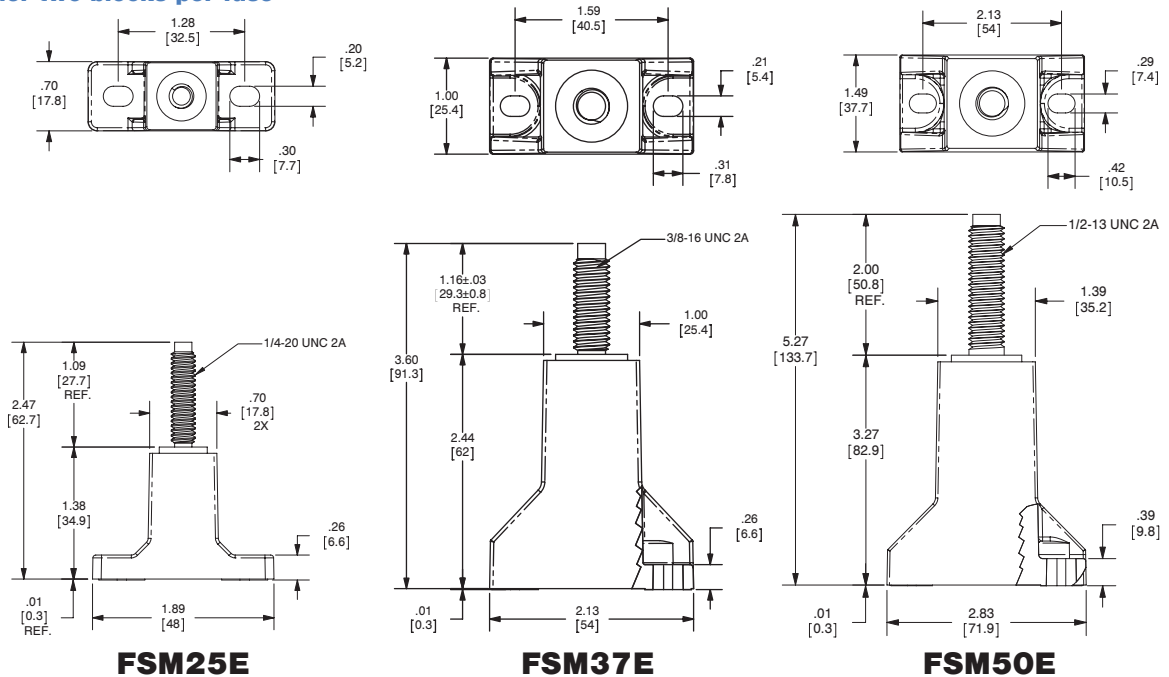
- Insulator Base, High Strength Thermoplastic
- Stud, Nuts and Belleville Washers: Plated Steel
- Maximum Insulator Base Temperature Rating 125°C (257°F) UL RTI (impact)
- Hardware Provided Unassembled
- Flammability Rating of Insulator UL 94 V-0
- Ideal for applications such as lithium-ion battery packs, inverters, industrial panels and other energy storage devices
- UL Recognized File No. IZLT2.E35113 
- RoHS Compliant



Shown left to right: FSM50E, FSM37E, FSM25E

	FSM25E	FSM37E	FSM50E
<b>Stud Sizes</b>	1/4"-20 Stud Metric sizes (M6, M10, M12) available upon request - contact Customer Service for more information	3/8"-16 Stud	1/2"-13 Stud
<b>Electrical Ratings</b>	400A, Up to 1000V AC/DC	800A, Up to 1000V AC/DC	1200A, Up to 1000V AC/DC
<b>Application Torque</b>	75 in-lbs	230 in-lbs	300 in-lbs
<b>Withstand Rating</b>	Approved for 200,000A, Tested at 111 kA <sup>2</sup> s (I <sup>2</sup> t) and 20.0 kA (I <sub>p</sub> )	Approved for 200,000A, Tested at 274 kA <sup>2</sup> s (I <sup>2</sup> t) and 26.2 kA (I <sub>p</sub> )	Approved for 200,000A, Tested at 465 kA <sup>2</sup> s (I <sup>2</sup> t) and 30.8 kA (I <sub>p</sub> )
<b>Mounting</b>	Mount with #10 fastener, torque to 25-30 in. lbs.	Mount with #10 fastener, torque to 25-30 in. lbs.	Mount with 1/4" fastener, torque to 25-30 in. lbs.

**NOTE: Order two blocks per fuse**



For electronic drawings or 2D/3D CAD data, submit request at [www.marathonsp.com/drawings.html](http://www.marathonsp.com/drawings.html)

# Fuse Holders with BD (Box Distribution) Connectors

## 30 and 60 Amp 250 and 600 Volt

### Specifications:

- Available on Class H, R and J Fuse Holders
- Connectors, High Conductive Aluminum, Tin Plated
- Reinforcing Member Available, Standard on Class R
- UL Recognized File No. IZLT2.E35113
- CSA Certified File No. LR21455
- RoHS Compliant

### Class H and R Fuse Holders *Replace "X" with # of poles*

Catalog #	Volts	Amps	Line Wire Range	Load Wire Range
F60AXB	250	60	(1) #2 - #10 AWG	(1) #2 - #10 AWG
R60AXB				(1) #6 - #14 AWG
F60AXB-D				
R60AXB-D				
6F30AXB-D	600	30	(1) #6 - #14 AWG	(1) #6 - #14 AWG
6R30AXB-D				(2) #10 - #18 AWG
6F60AXB		60	(1) #2 - #10 AWG	(1) #2 - #10 AWG
6R60AXB				(1) #6 - #14 AWG
6F60AXB-D				(1) #2 - #10 AWG
6R60AXB-D				(2) #6 - #14 AWG

Class R - No Agency Approval



F60A3BD



6F30A3BDD

### Class J Fuse Holders *Replace "X" with # of poles*

Catalog #	Volts	Amps	Line Wire Range	Load Wire Range
6J60AXB	600	60	(1) #2 - #10 AWG	(1) #2 - #10 AWG
6J60AXB-D				(1) #6 - #14 AWG
				(1) #2 - #10 AWG
				(2) #6 - #14 AWG

Class J - No Agency Approval



6J60A3BDD

# STSF Forklift/Semi Conductor Fuse Holder

## Stud Version - Specifications:

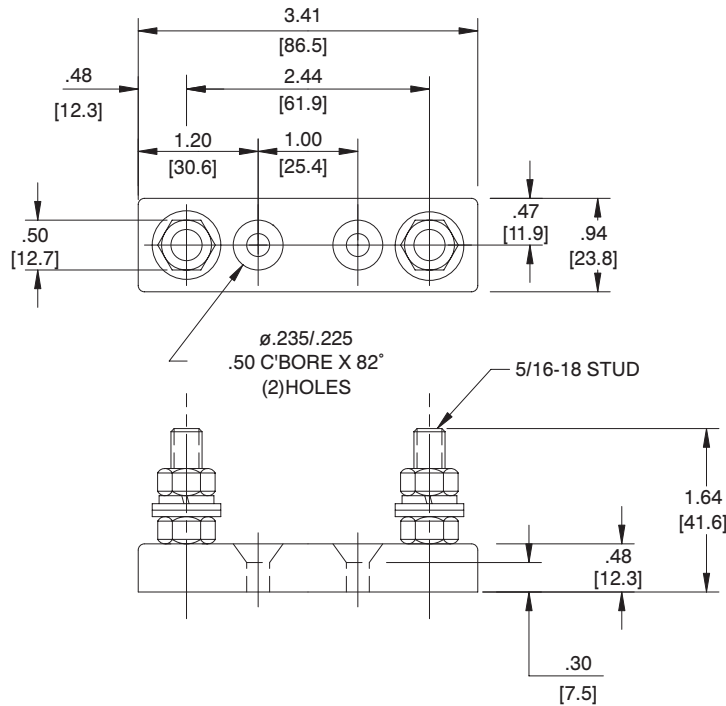
- Base, High Strength Thermoplastic
- Temperature Rating of 170°C
- Studs, Stainless Steel (Nuts and Washers Provided)
- 130 Volt AC/DC, 1 to 400 Amps
- UL Recognized File No. IZLT2.E35113
- RoHS Compliant

## Applications:

This holder is used in direct current (DC) applications: forklifts, golf carts, electric vehicles, custom high-end car stereo systems, heavy equipment, marine aircraft, and similar applications.



ST SF



A #10 flat or conventional pan head screw head is acceptable.

For electronic drawings or 2D/3D CAD data, submit request at [www.marathonsp.com/drawings.html](http://www.marathonsp.com/drawings.html)

# Fuse Holder Covers

## Specifications:

- Material, Thermoplastic
- Thermal Rating, 125°C (RTI, per UL 746)
- Flammability, VO (per UL 94)
- UL Listed Accessories under File No. JDVS2.E181825
- In Application, Protection is Consistent with IEC Standard 529, Designation IP20 (Finger Safe)\* - except CJ6100-1, CJ6100-2, and CJ6100-3
- Opening Allows View of Self-Indicating Fuses
- Holes for Test Probes and Re-tightening of Wire Terminations
- Covers fit most Fuse Holder Brands
- RoHS Compliant



Fuse Holder shown with Covers Attached

Catalog #	For use w/Fuse Holder #	Fuse Type	Voltage	Amp
CHR230	F30A/R30A	H/R	250	30
CHR260	F60A/R60A	H/R	250	60
CHR2100	RF100A/R100A	H/R	250	100
CHR630	6F30A/6R30A	H/R	600	30
CHR660	6F60A/6R60A	H/R	600	60
CHR6100	R6F100A/6R100A	H/R	600	100
CJ630	6J30A	J	600	30
CJ660	6J60A	J	600	60
CC630	6CC30A, Class G	CC, G	600	30
CC660	R6CC60A	CD	600	60
CCM630**	6M30A/6CCM30A	MISC	600	30
CJ6100-1C	R6J100A	J	600	100
CJ6100-2C	R6J100A	J	600	100
CJ6100-3C	R6J100A	J	600	100

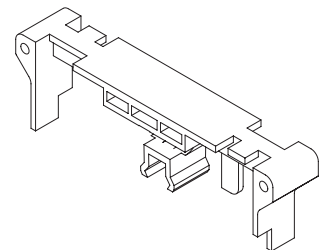
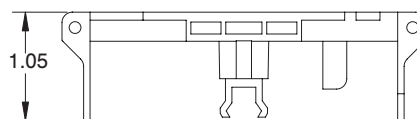
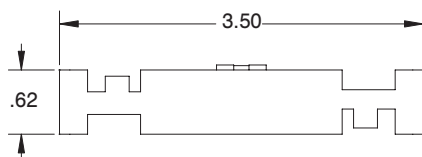
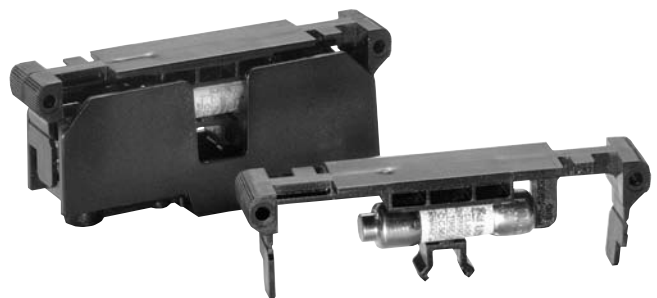
See page 34 for dimensional information

\*Applications involving fuse holders other than Marathon may not provide IP20 finger protection

\*\*Covers are recognized if used with recognized fuses

## Cover/Puller (Catalog # CVR-MCC)

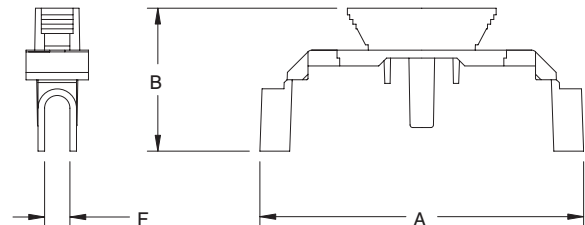
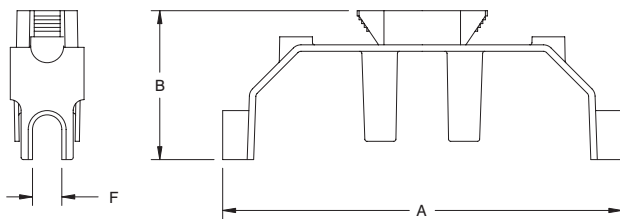
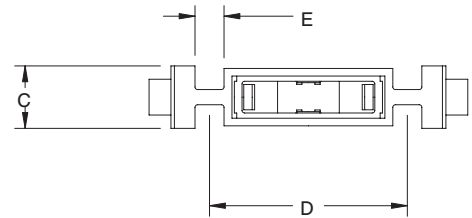
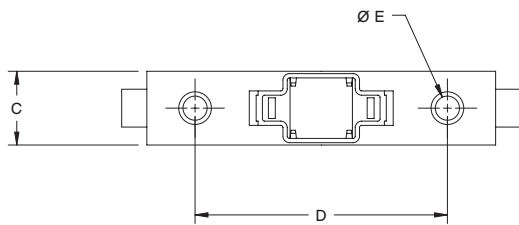
Marathon's Cover/Puller was designed for use with the Class CC (30 Amp), Midget and Class G (15 & 20 Amp only) Fuse Holders. Once installed, the Cover/Puller provides an easy and safe way to remove fuses. In application, protection is consistent with IEC Standard 529, designation IP20 (finger safe).



# Fuse Holder Covers

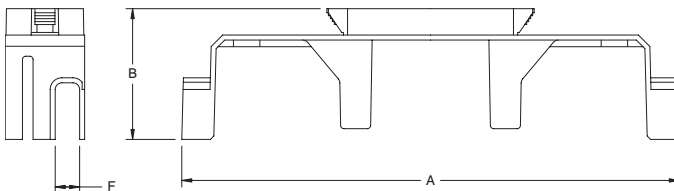
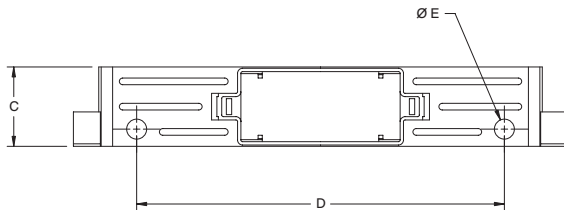
Catalog #	Figure	A	B	C	D	E	F	
CHR230	FIG 1	3.76	1.67	0.86	2.54	0.40	0.30	
CHR260	FIG 1	5.80	2.16	1.07	3.66	0.47	0.42	
CHR2100	FIG 2	7.38	2.41	1.49	4.90	0.38	0.46	
CHR630	FIG 1	7.56	1.71	1.10	5.58	0.47	0.42	
CHR660	FIG 1	8.30	2.37	1.35	6.32	0.35	0.42	
CHR6100	FIG 2	9.34	2.45	1.49	6.90	0.38	0.46	
CJ630	FIG 1	4.30	1.95	0.90	2.66	0.35	0.30	
CJ660	FIG 1	5.04	2.07	1.35	3.10	0.35	0.42	
CC630	FIG 3	3.83	1.69	0.74	2.34	0.34	0.30	
CC660	FIG 1	4.58	1.95	0.90	2.66	0.35	0.42	
CCM630	FIG 3	3.83	1.69	0.74	2.34	0.34	0.30	
CJ6100-1C	FIG 4	1.94	1.38					(2 mounting screws supplied)
CJ6100-2C	FIG 4	3.94	3.38					(2 mounting screws supplied)
CJ6100-3C	FIG 4	5.22	4.66					(4 mounting screws supplied)

mm = dim X 25.4

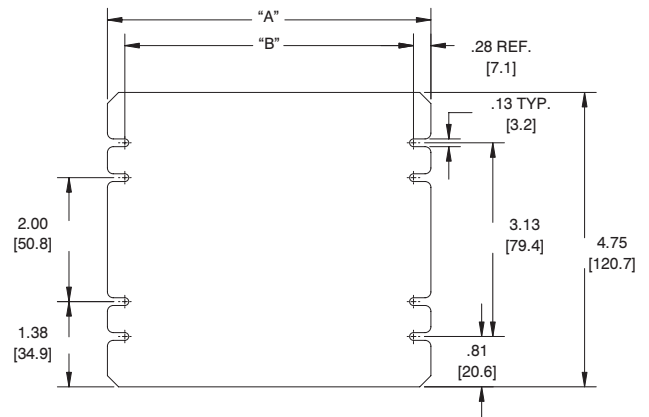


**FIGURE 1:**

**FIGURE 2:**



**FIGURE 3:**



**FIGURE 4:**

# DIN Rail Adapters

## DIN R 1:

- Accessory to Secure Surface Mount Devices on DIN Rail
- Made of Acetal Resin Material
- High Mechanical Strength and Rigidity
- Good Resilience and Resistance to Creep
- Excellent Dimensional Stability
- Excellent Low Temperature Toughness
- Wide End-Use Temperature Range
- Will Work with 2 and 3 pole Class H (250 Volt, 30 Amp) and Class R Fuse Holders (250 Volt, 30 Amp), and 985, 1100, 1200, 1500, and 1600 Series Heavy Duty Terminal Blocks
- RoHS Compliant

### Assembly Method:

- Press Adapter onto Rail, Fasten Component with #8 Self Tapping Screw (Screw not Supplied)
- Assembly Locks Firmly unto DIN Rail

Catalog #	Std Pack Qty
DIN R 1	10

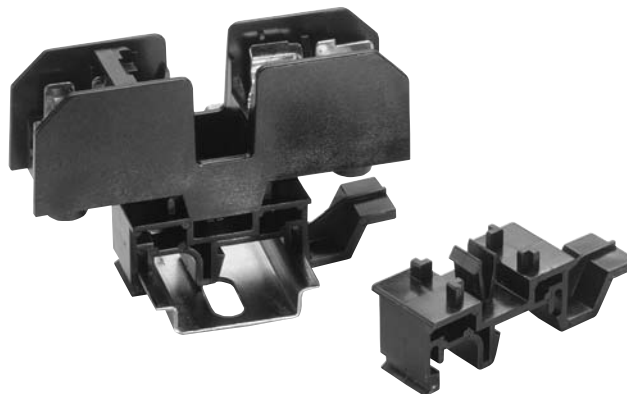
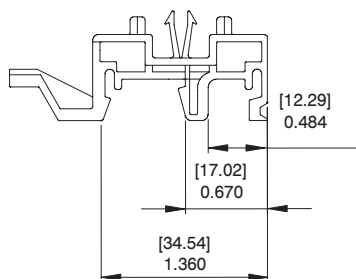
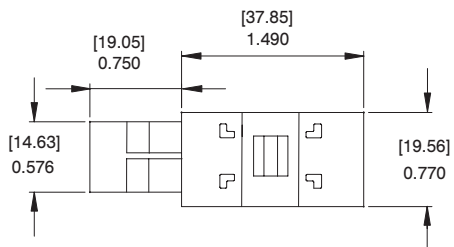


USE A #8 SELF TAPPING SCREW FOR MOUNTING COMPONENT



## DIN R 2:

- For use with Class CC (30 Amp), Midget, and Class G Fuse Holders.
- RoHS Compliant



### Assembly Method:

- DIN R 2 snaps securely to the Marathon Fuse Holders and to DIN Rails without Tools, which Permits the Fuse Holders to be Mounted Directly to Standard and Low Profile 35mm Symmetrical and 32mm Asymmetrical DIN Rails.
- May be Removed by Lifting the Disconnect Tab

Catalog #	Std Pack Qty
DIN R 2	10